

**SPLIT TYPE  
ROOM AIR CONDITIONER  
FLOOR CONSOLE /  
UNDER CEILING  
DUAL type (50Hz)**

# SERVICE MANUAL

## Models

Indoor unit	Outdoor unit
ABY18ABAJ	AOY18ANAK
ABY18ABAJ	AOY18ANAKH
ABY18RBAJ	AOY18RNAKH
ABY24ABAJ	AOY24ANAK
ABY24ABAJ	AOY24ANAKH
ABY24RBAJ	AOY24RNAKH

## CONTENTS

SPECIFICATIONS .....	1
OUTLINE AND DIMENSIONS .....	2
REFRIGERANT SYSTEM DIAGRAM .....	4
CIRCUIT DIAGRAM .....	7
ERROR DISPLAY .....	10
INDOOR PRINTED CIRCUIT BOARD CIRCUIT DIAGRAM ....	11
DISASSEMBLY ILLUSTRATION .....	13
PARTS LIST .....	27
STANDARD ACCESSORIES .....	31

FUJITSU GENERAL LIMITED



**Большая библиотека технической документации**

<https://splitsystema48.ru/instrukcii-po-ekspluatacii-kondicionerov.html>

**каталоги, инструкции, сервисные мануалы, схемы.**

# SPECIFICATIONS

TYPE	COOL		COOL & HEAT	
INDOOR UNIT	ABY18ABAJ	ABY24ABAJ	ABY18RBAJ	ABY24RBAJ
OUTDOOR UNIT	AOY18ANAK AOY18ANAKH	AOY24ANAK AOY24ANAKH	AOY18RNAKH	AOY24RNAKH
COOLING CAPACITY (kW)	5.40 - 5.50	6.80 - 6.9	5.30 - 5.40	6.60 - 6.80
HEATING CAPACITY (kW)	—		5.50 - 5.60	7.60 - 7.80

## ELECTRICAL DATA

POWER SOURCE (V)	220 - 240				
FREQUENCY (Hz)	50				
RUNNING CURRENT (A)	COOLING	8.4 - 8.4	12.2 - 12.8	8.5 - 8.5	12.4 - 12.8
	HEATING	—	—	7.8 - 7.8	12.4 - 12.8
INPUT WATTS (kW)	COOLING	1.84 - 1.89	2.53 - 2.67	1.83 - 1.91	2.60 - 2.78
	HEATING	—	—	1.70 - 1.75	2.53 - 2.68
E.E.R. (kW / kW)	COOLING	2.93 - 2.91	2.69 - 2.58	2.90 - 2.83	2.54 - 2.45
	HEATING	—	—	3.24 - 3.20	3.00 - 2.91
MOISTURE REMOVAL (ℓ /hr)	2.2	2.5	2.2	2.5	
AIR CIRCULATION-Hi (m <sup>3</sup> /hr)	800	900	800	900	

## COMPRESSOR

TYPE	Hermetic type, Deposit electrode condenser, 2 poles, Single phase, Induction motor, Rotary			
CODE	2JS318D5DA02	2JS438D5DA02	2JS318D5DA02	2JS438D5DA02
REFRIGERANT R-22 (g)	1,300	1,950	1,900	2,200

## FAN MOTOR

POWER SOURCE (V)	220 - 240				
INDOOR UNIT	DISCRIMINATION	MFA-18JTT	MFA-24JTT	MFA-18JTT	MFA-24JTT
	HI-SPEED (r.p.m.)	1,030	1,180	1,030	1,180
	MED-SPEED (r.p.m.)	890	1,040	890	1,040
	LO-SPEED (r.p.m.)	770	900	770	900
OUTDOOR UNIT	DISCRIMINATION	MFB-24JTT		MFB-24JTBT	
	HI-SPEED (r.p.m.)	800			
	LO-SPEED (r.p.m.)	—		400	

## DIMENSIONS

INDOOR UNIT	H x W x D (mm)	199 x 990 x 655
OUTDOOR UNIT	H x W x D (mm)	650 x 830 x 320

## WEIGHT

INDOOR UNIT	GROSS / NET (kg)	39 / 30			
OUTDOOR UNIT	GROSS / NET (kg)	55 / 51	63 / 59	60 / 56	64 / 60

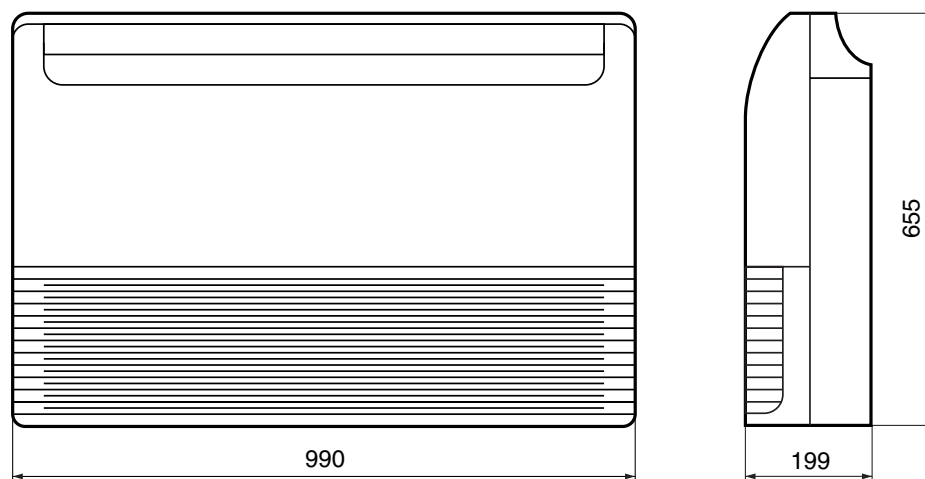
## REFRIGERANT CHARGE (R-22)

FULL CHARGE AMOUNT	PIPE LENGTH	7.5 m (25 ft)	1,300 g (45.9 oz)	1,950 g (68.8 oz)	1,900 g (67.0 oz)	2,200 g (77.6 oz)
	10 m (33 ft)	1,350 g (47.5 oz)	2,000 g (70.5 oz)	2,000 g (70.5 oz)	2,300 g (81.1 oz)	
	15 m (49 ft)	1,450 g (51.0 oz)	2,100 g (73.9 oz)	2,200 g (77.6 oz)	2,500 g (88.2 oz)	
	20 m (66 ft)	1,550 g (54.5 oz)	2,200 g (77.6 oz)	2,400 g (84.7 oz)	2,700 g (95.2 oz)	
ADDITIONAL REFRIGERANT		20 g (0.71 oz) / 1 m (3.3 ft)		40 g (1.42 oz) / 1 m (3.3 ft)		

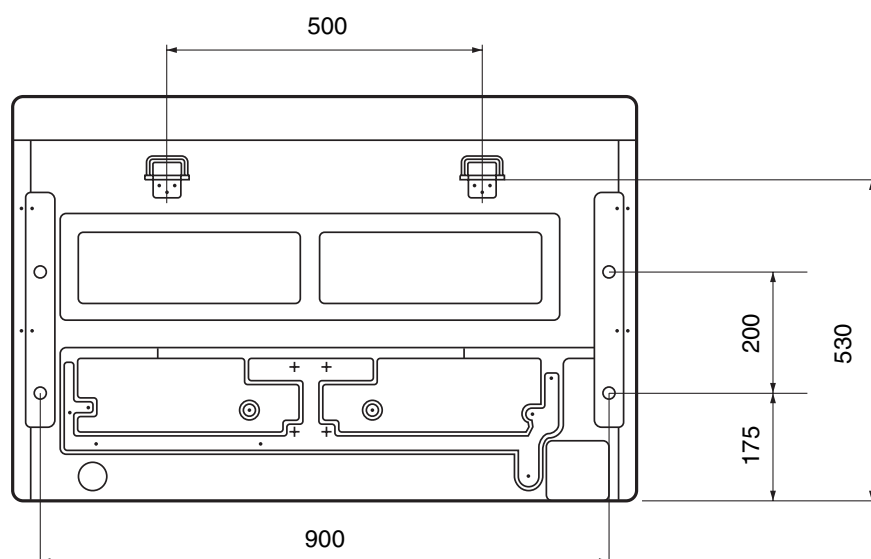
# OUTLINE AND DIMENSIONS

Unit : mm

## INDOOR UNIT

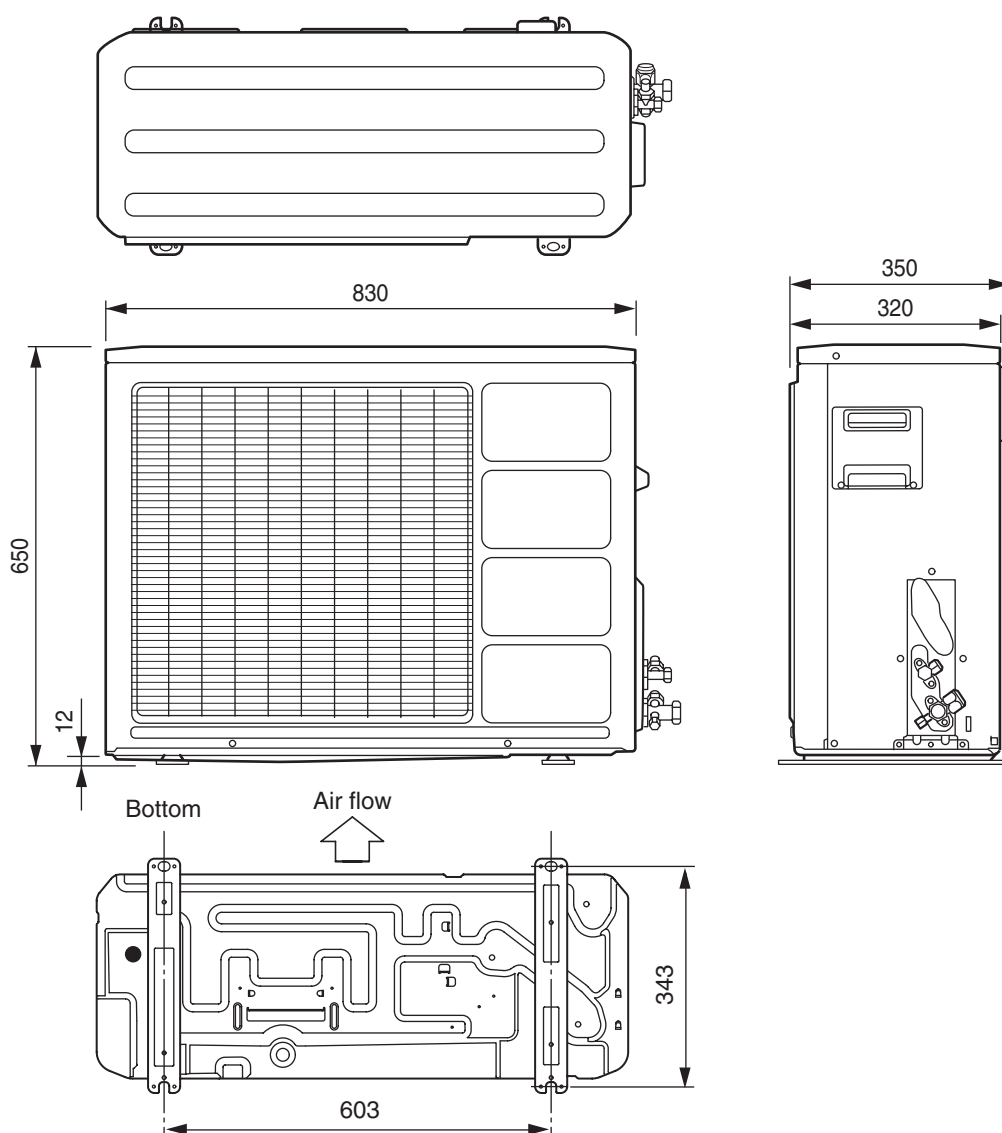


### (rear view)



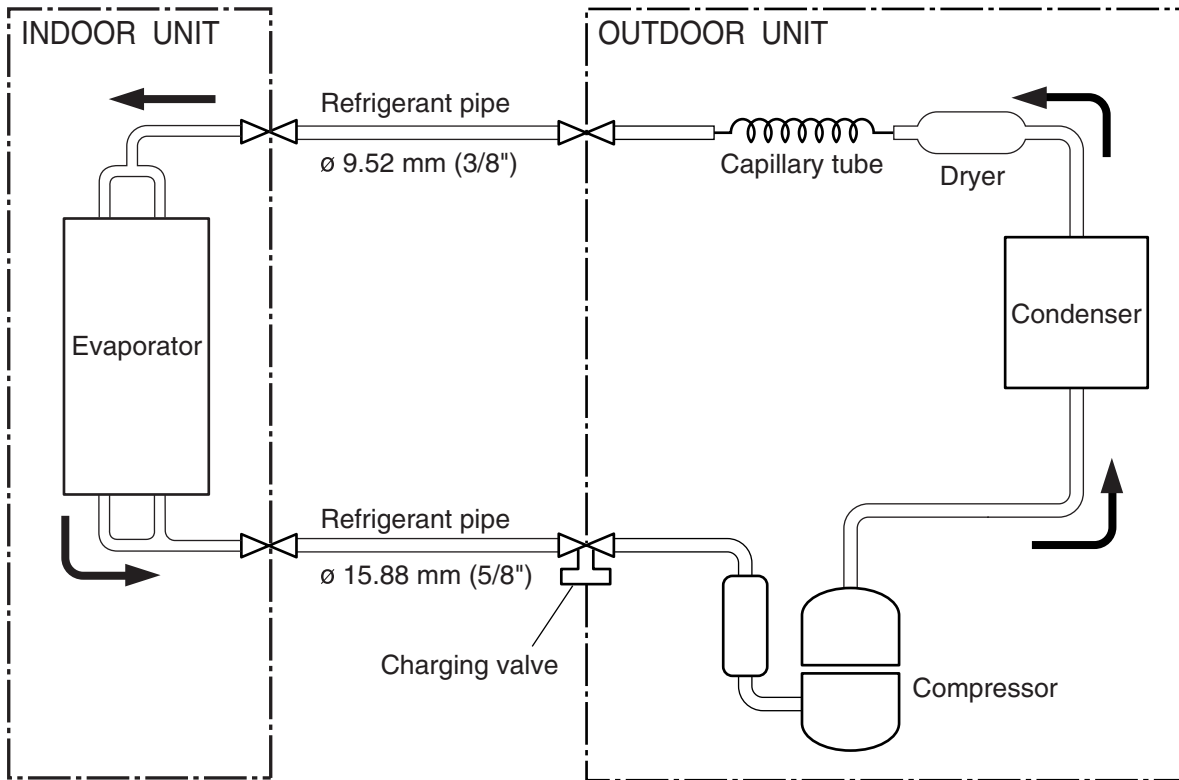
# OUTDOOR UNIT

Unit : mm

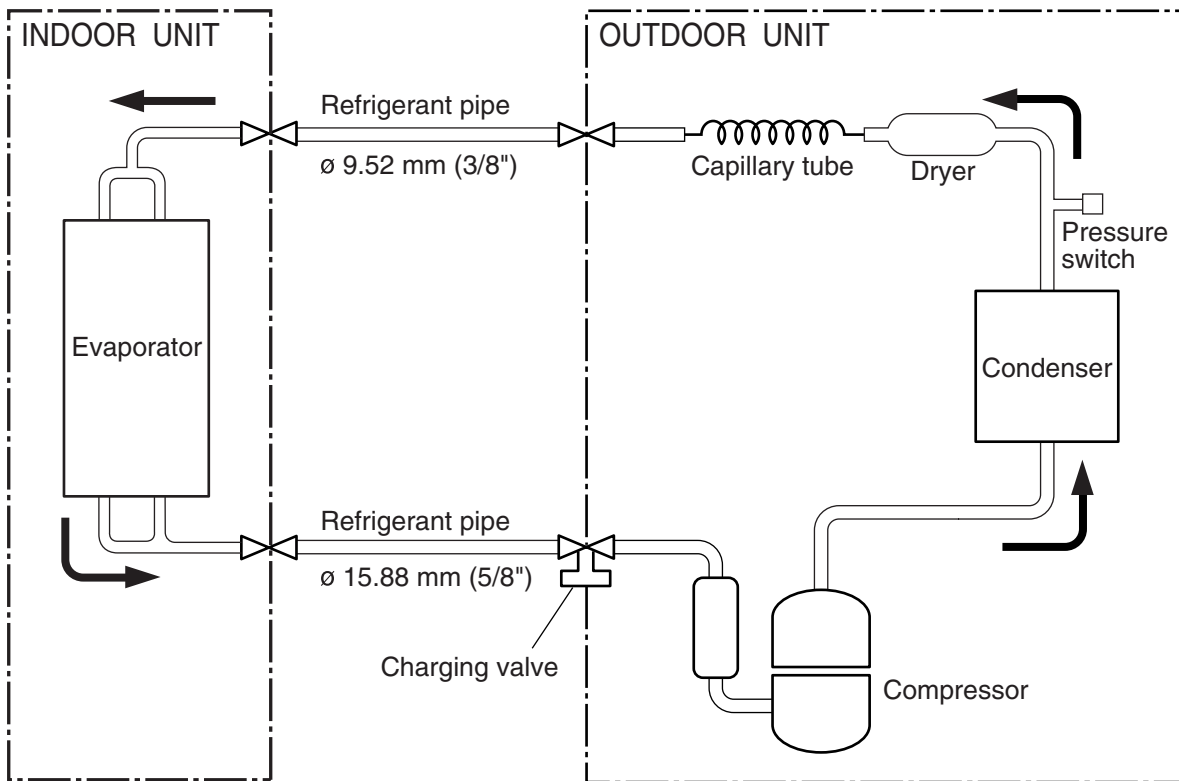


# REFRIGERANT SYSTEM DIAGRAM

**Models : ABY18ABAJ / AOY18ANAK**

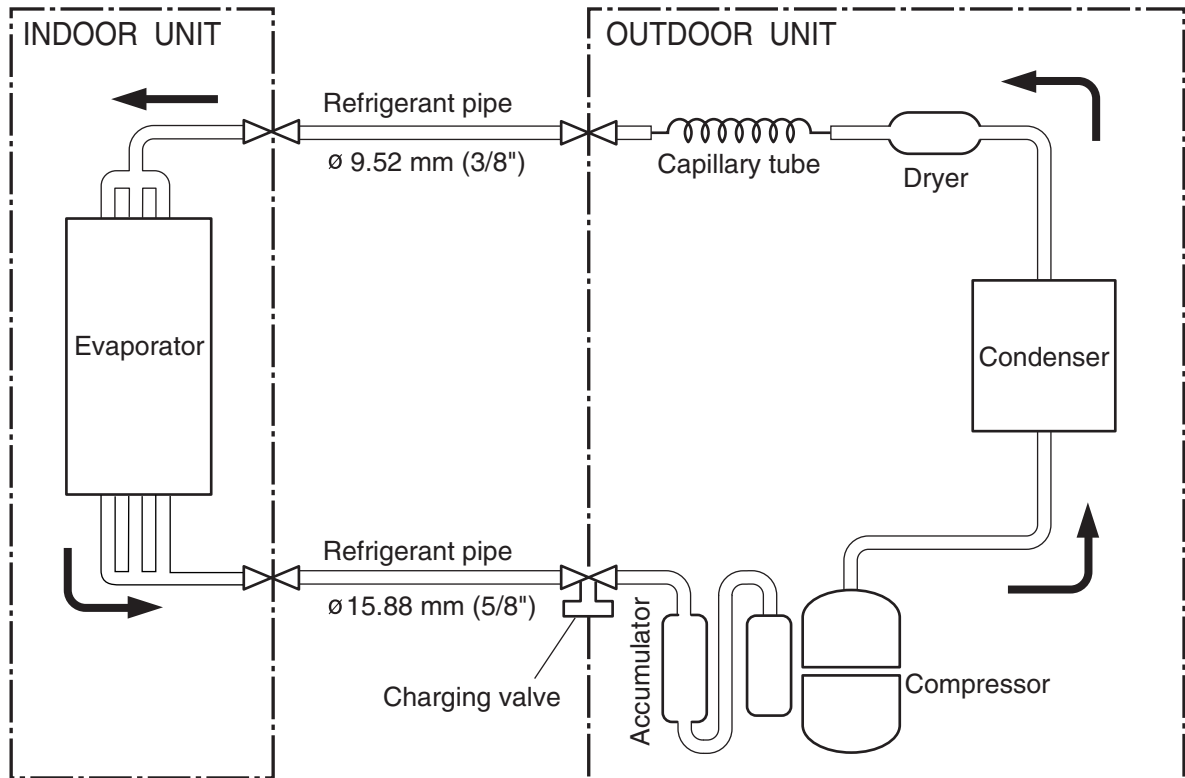


**Models : ABY18ABAJ / AOY18ANAKH**

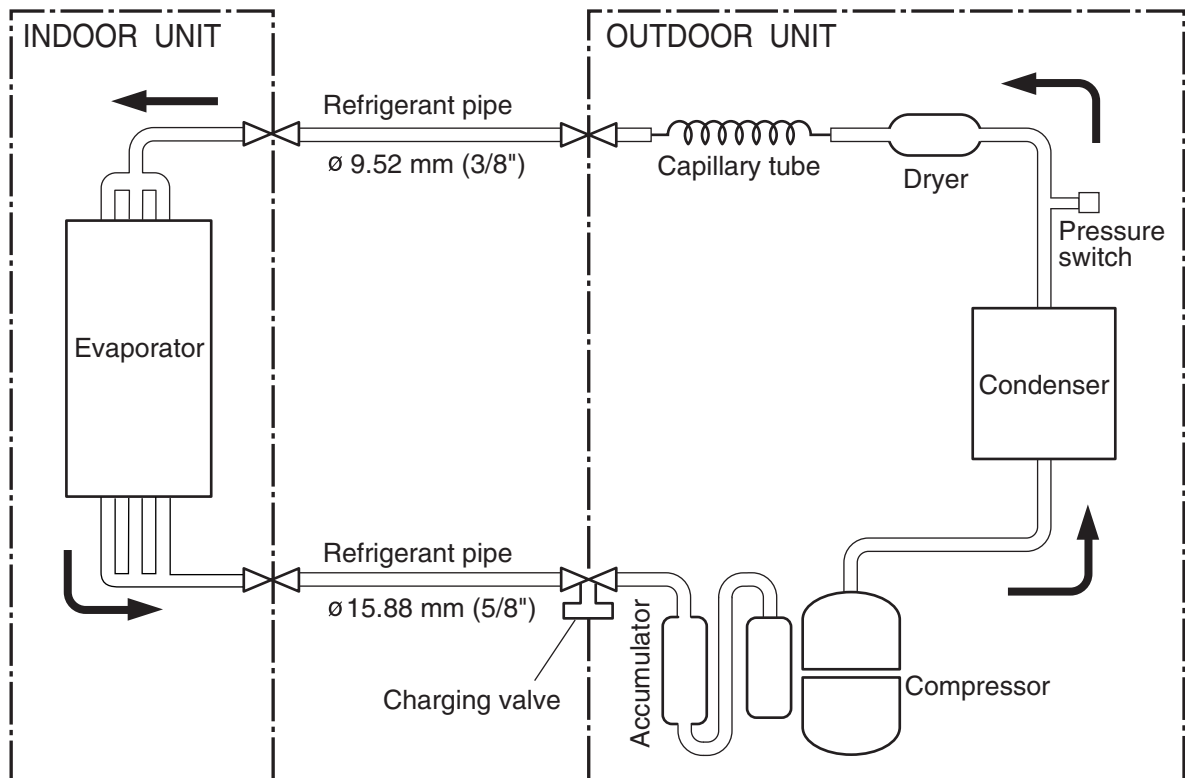


➔ Cooling  
 $\nabla$  : Flare coupling

**Models : ABY24ABAJ / AOY24ANAK**



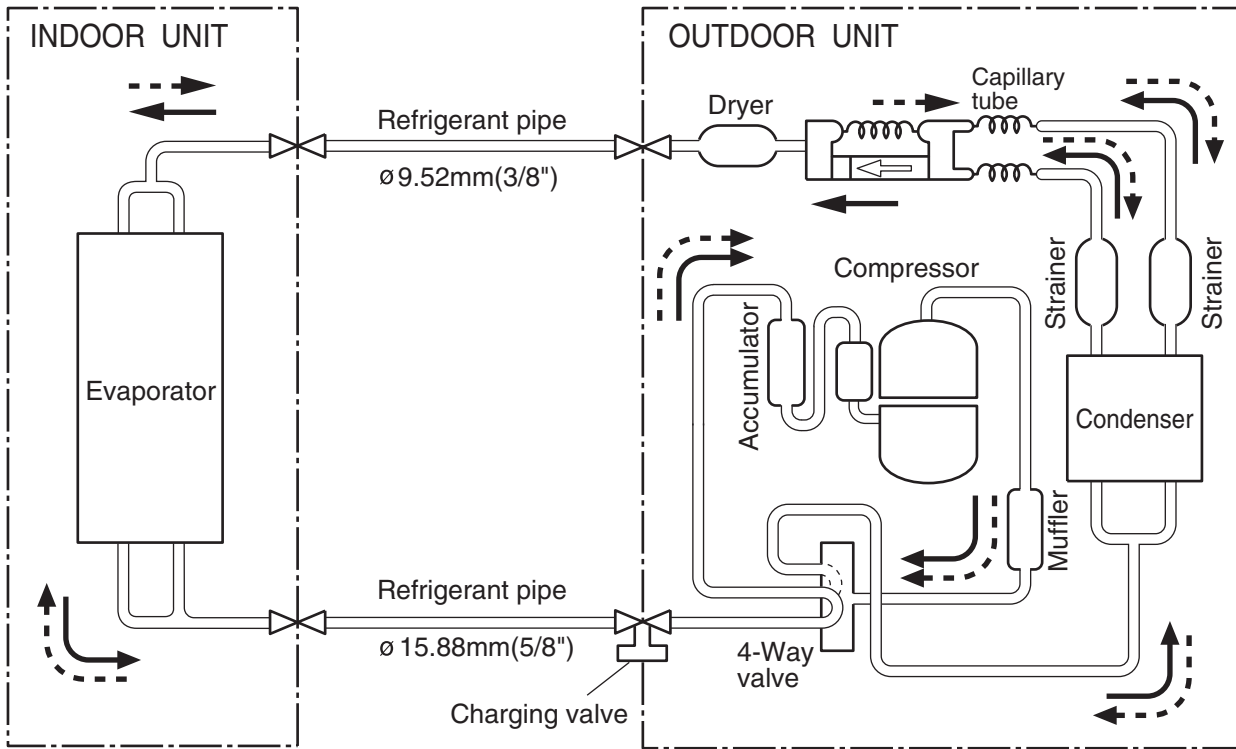
**Models : ABY24ABAJ / AOY24ANAKH**



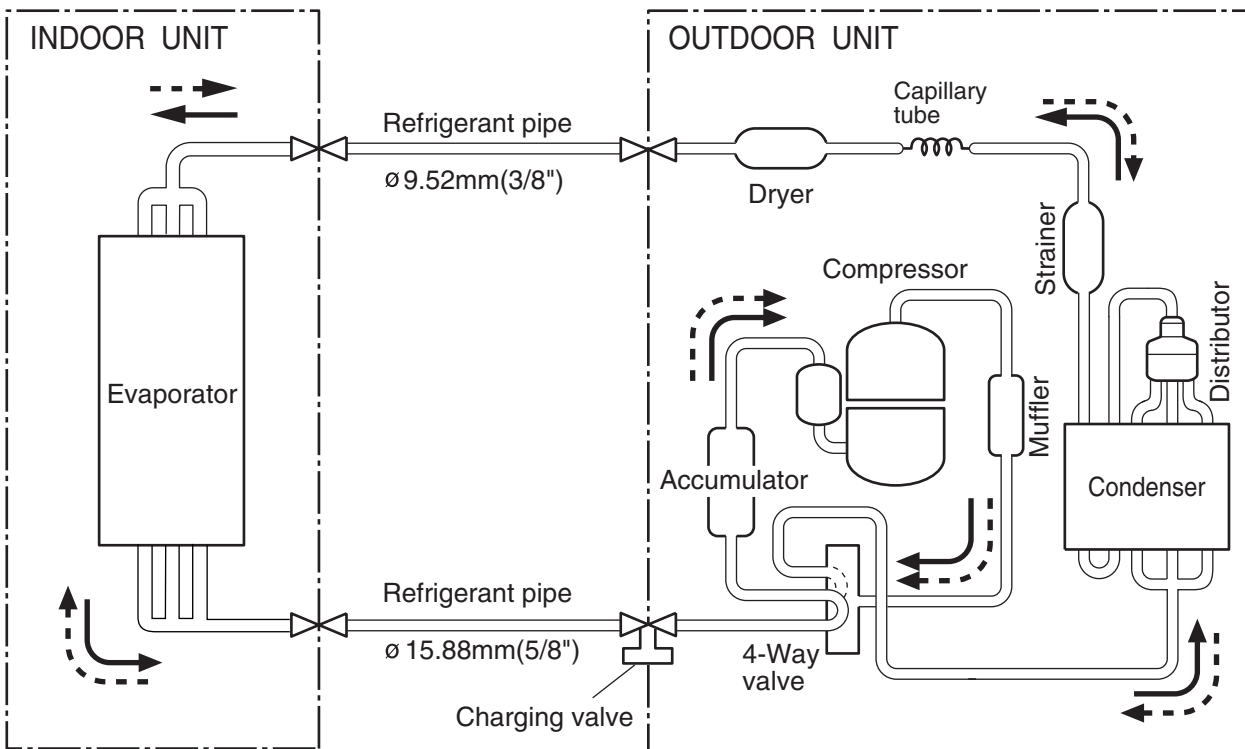
→ Cooling

⊗ : Flare coupling

**Models : ABY18RBAJ / AOY18RNAKH**



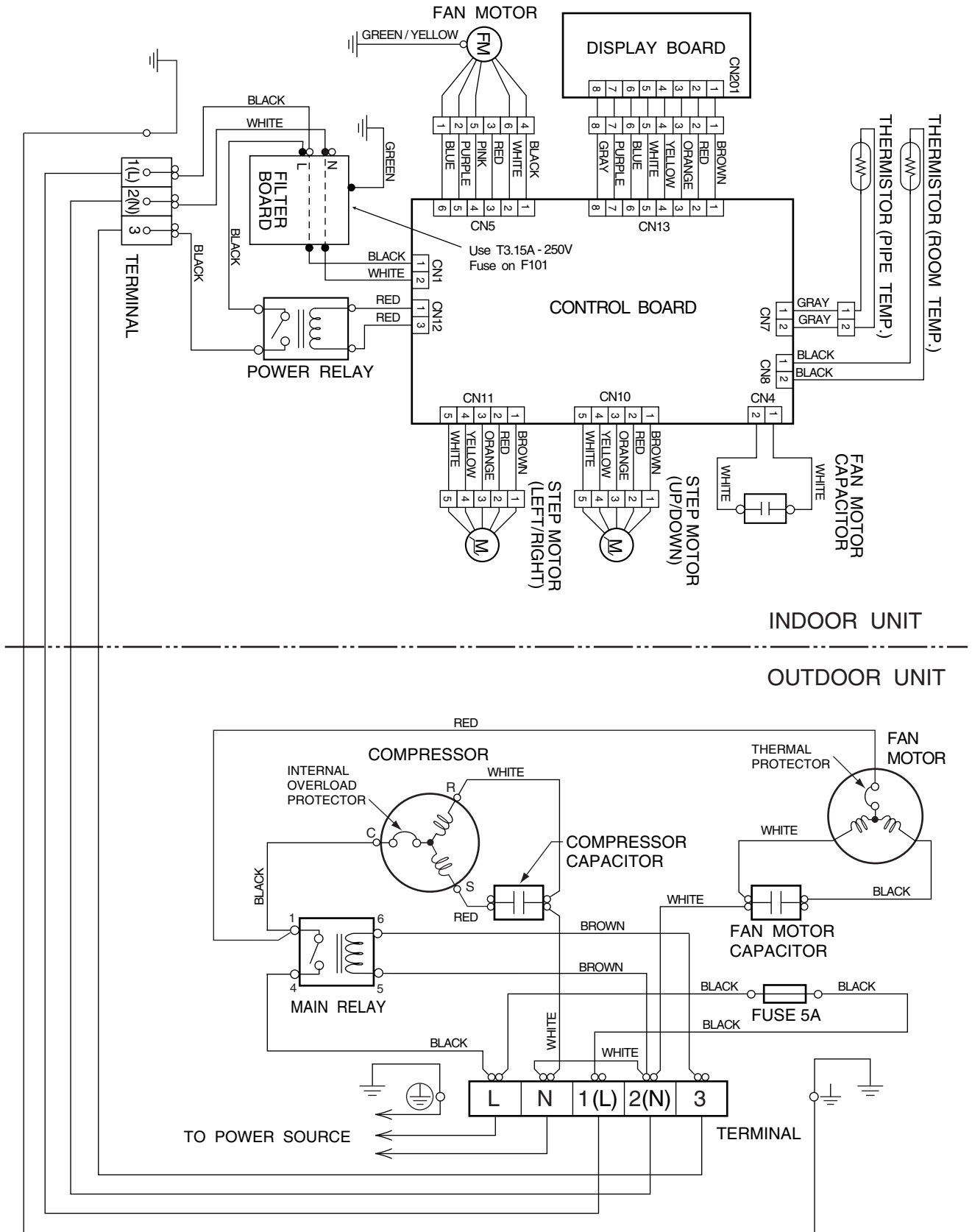
**Models : ABY24RBAJ / AOY24RNAKH**



- Cooling
- - - - - Heating
- ⊗ : Flare coupling

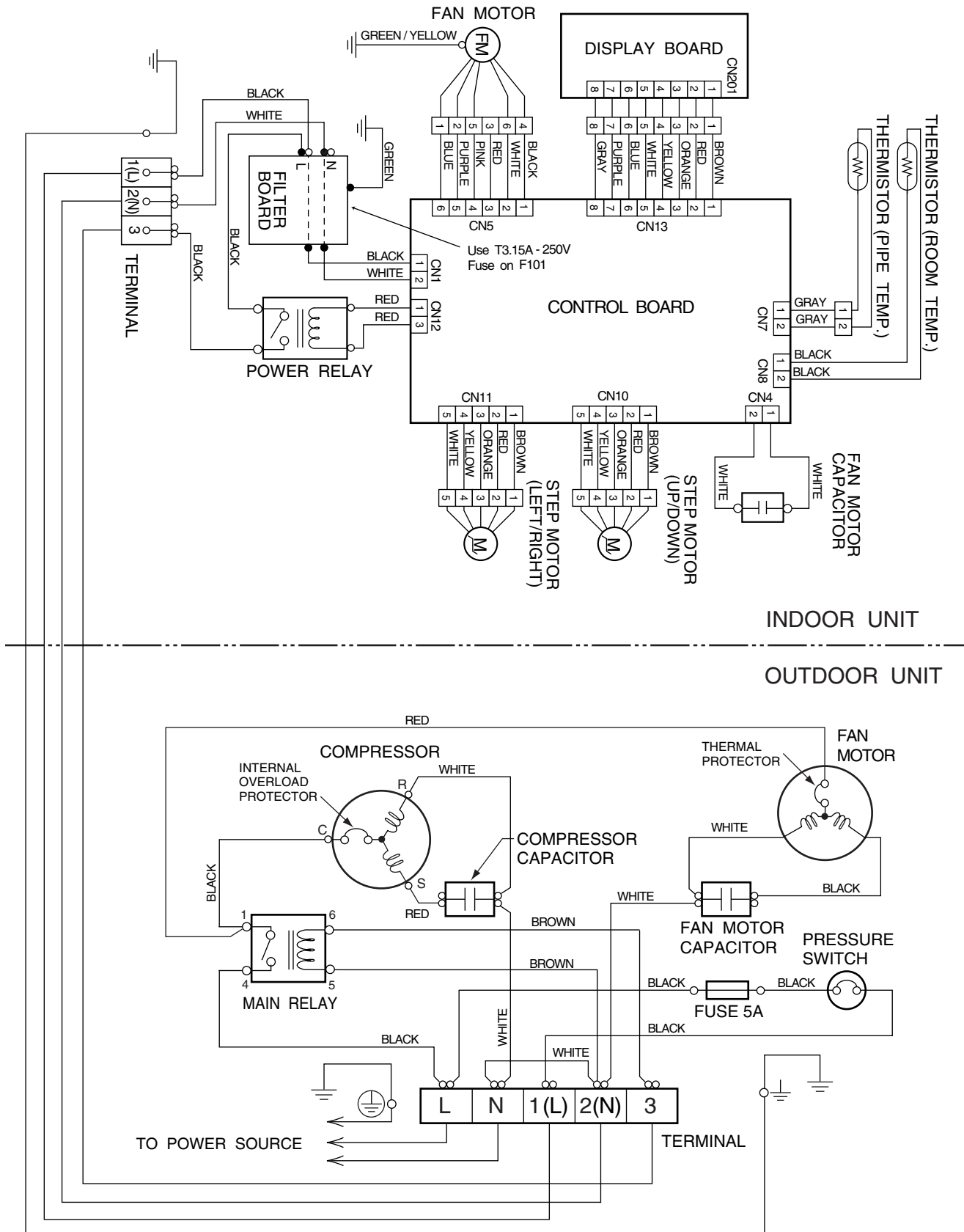
# CIRCUIT DIAGRAM

Models : **ABY18ABAJ / AOY18ANAK**  
**ABY24ABAJ / AOY24ANAK**

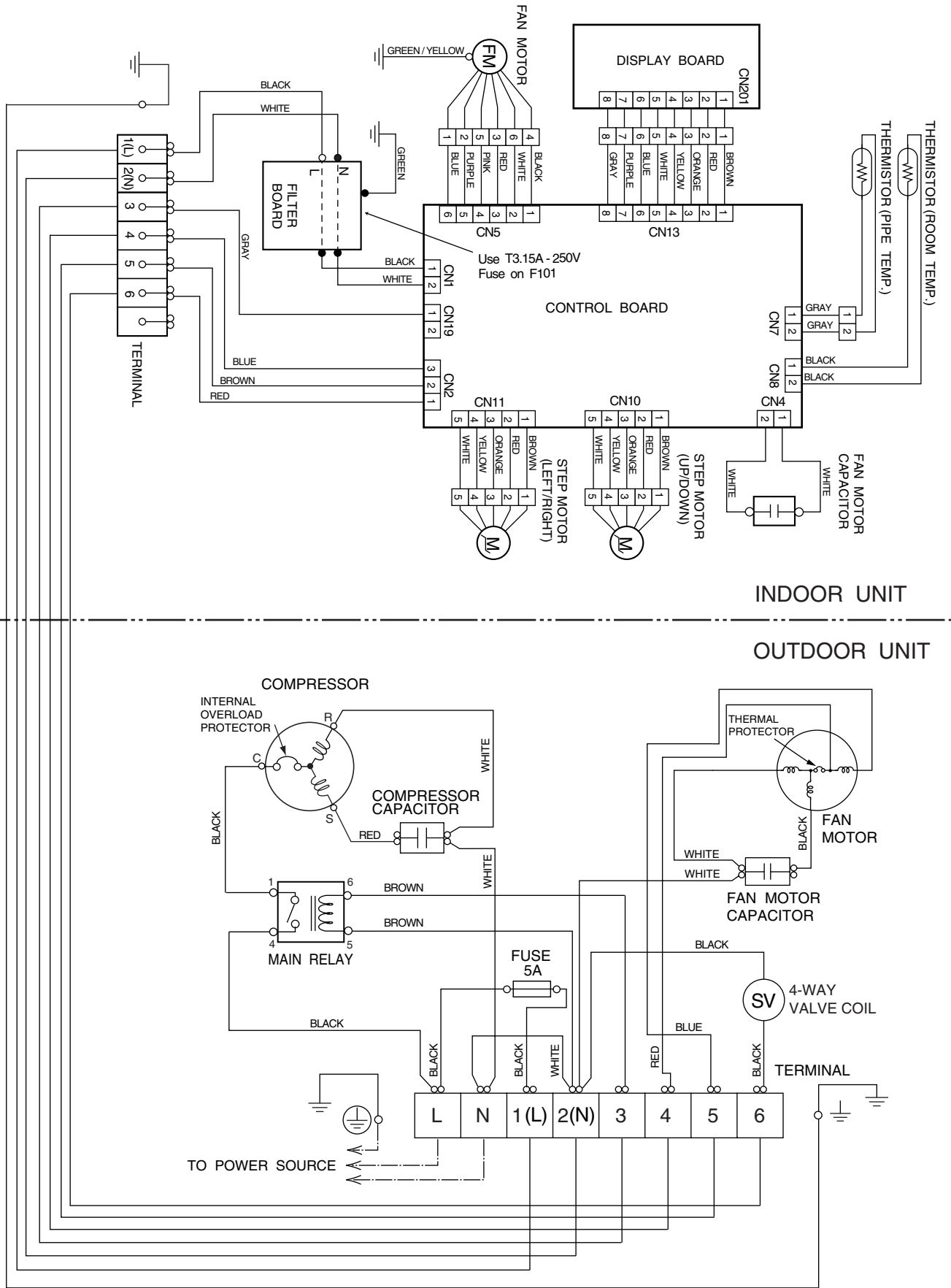




Models : **ABY18ABAJ / AOY18ANAKH**  
**ABY24ABAJ / AOY24ANAKH**



**Models : ABY18RBAJ / AOY18RNAKH  
ABY24RBAJ / AOY24RNAKH**



**INDOOR UNIT**

**OUTDOOR UNIT**

## ERROR DISPLAY

### ● Error

The OPERATION, TIMER and SWING lamps operate as follows according to the error contents.

○ : Fast flashing      ● : Slow flashing      – : Off

Error contents	Error display		
	OPERATION (RED)	TIMER (GREEN)	SWING (ORANGE)
Indoor unit circuit board error	○	○	–
Indoor unit room temperature sensor wire opened	2 times ●	○	–
Indoor unit room temperature sensor wire short circuited	2 times ●	○	○
Indoor unit piping sensor wire opened	3 times ●	○	–
Indoor unit piping sensor wire short circuited	3 times ●	○	○
Indoor unit fan error	6 times ●	○	–

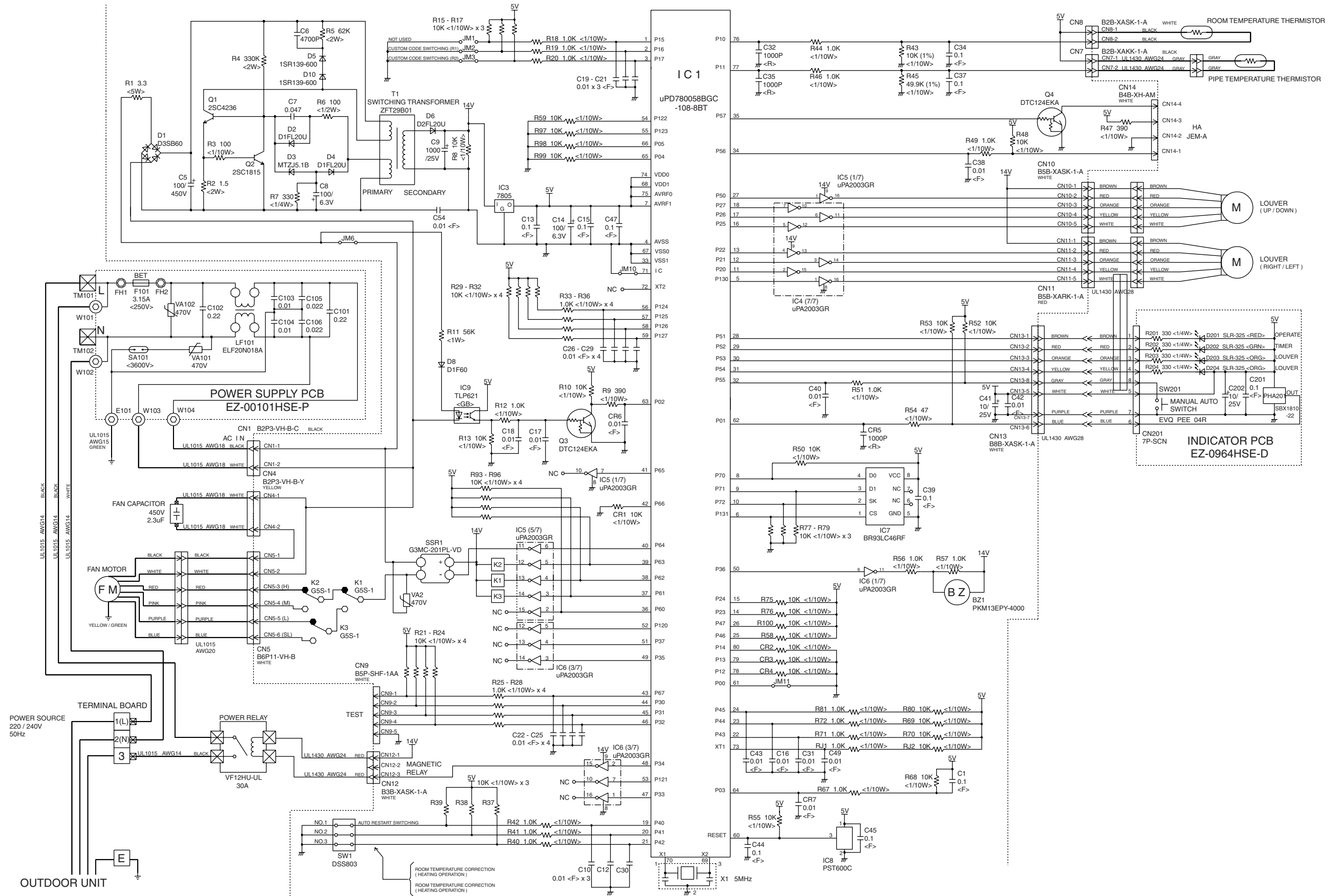
# INDOOR PRINTED CIRCUIT BOARD CIRCUIT DIAGRAM

**Models : ABY18ABAJ  
ABY24ABAJ**

CONTROLLER PCB ASSEMBLY ( MAIN PCB )

ABY18ABAJ : EZ-002YWSE-C

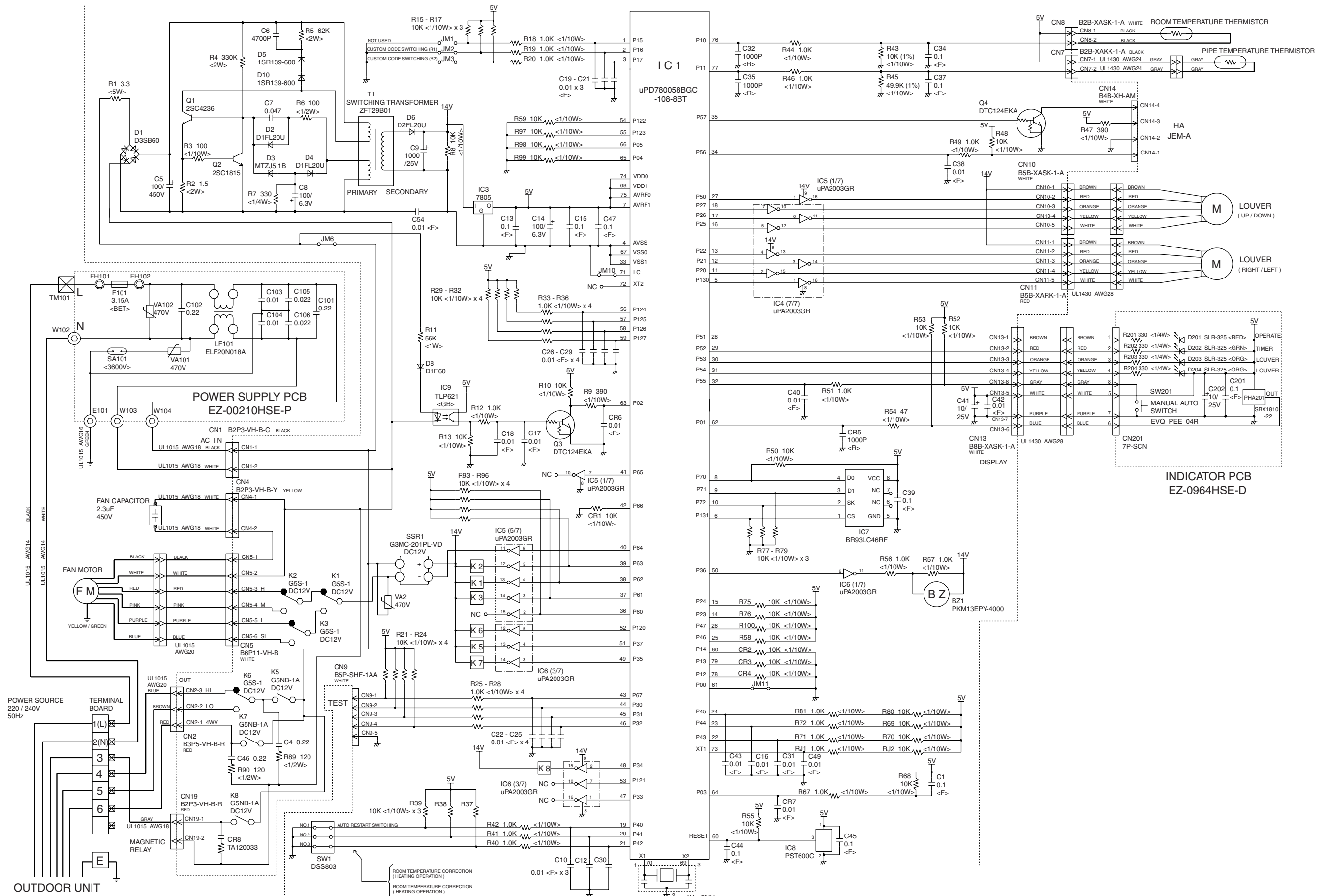
ABY24ABAJ : EZ-002TWSE-C



CONTROLLER PCB ASSEMBLY ( MAIN PCB )

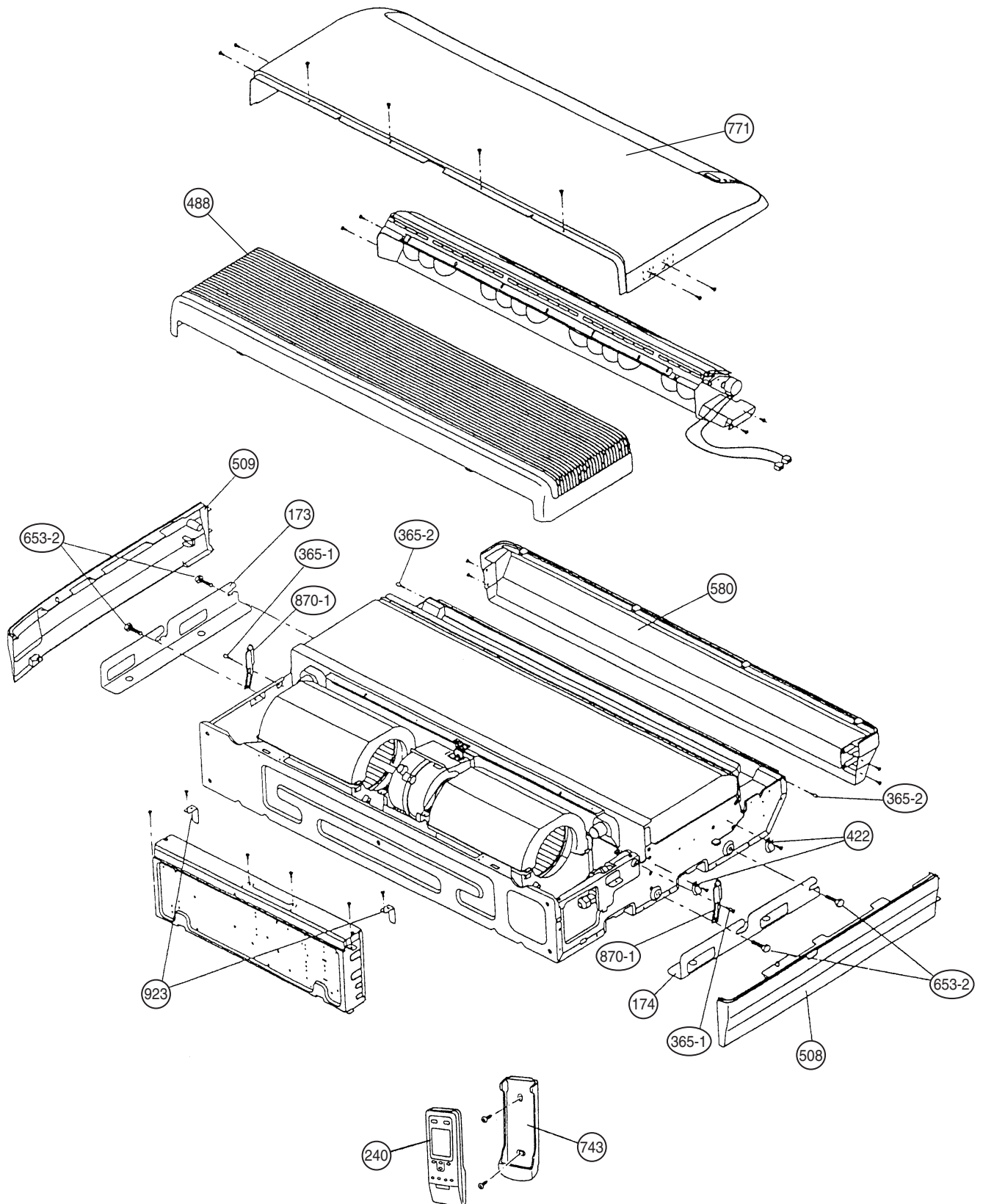
Models : **ABY18BAJ**  
**ABY24BAJ**

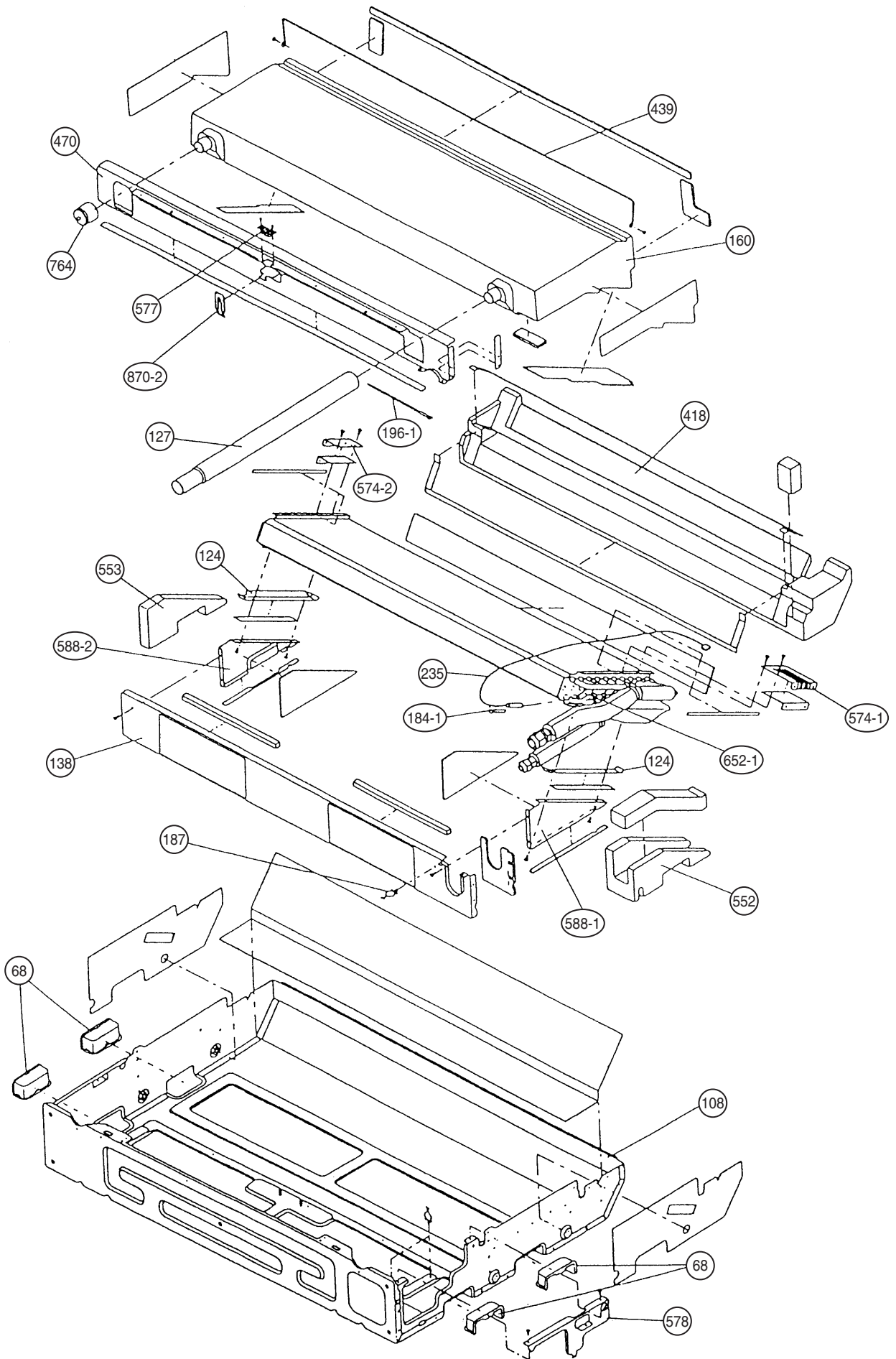
ABY18BAJ : EZ-0021HSE-C  
ABY24BAJ : EZ-0021HSE-C

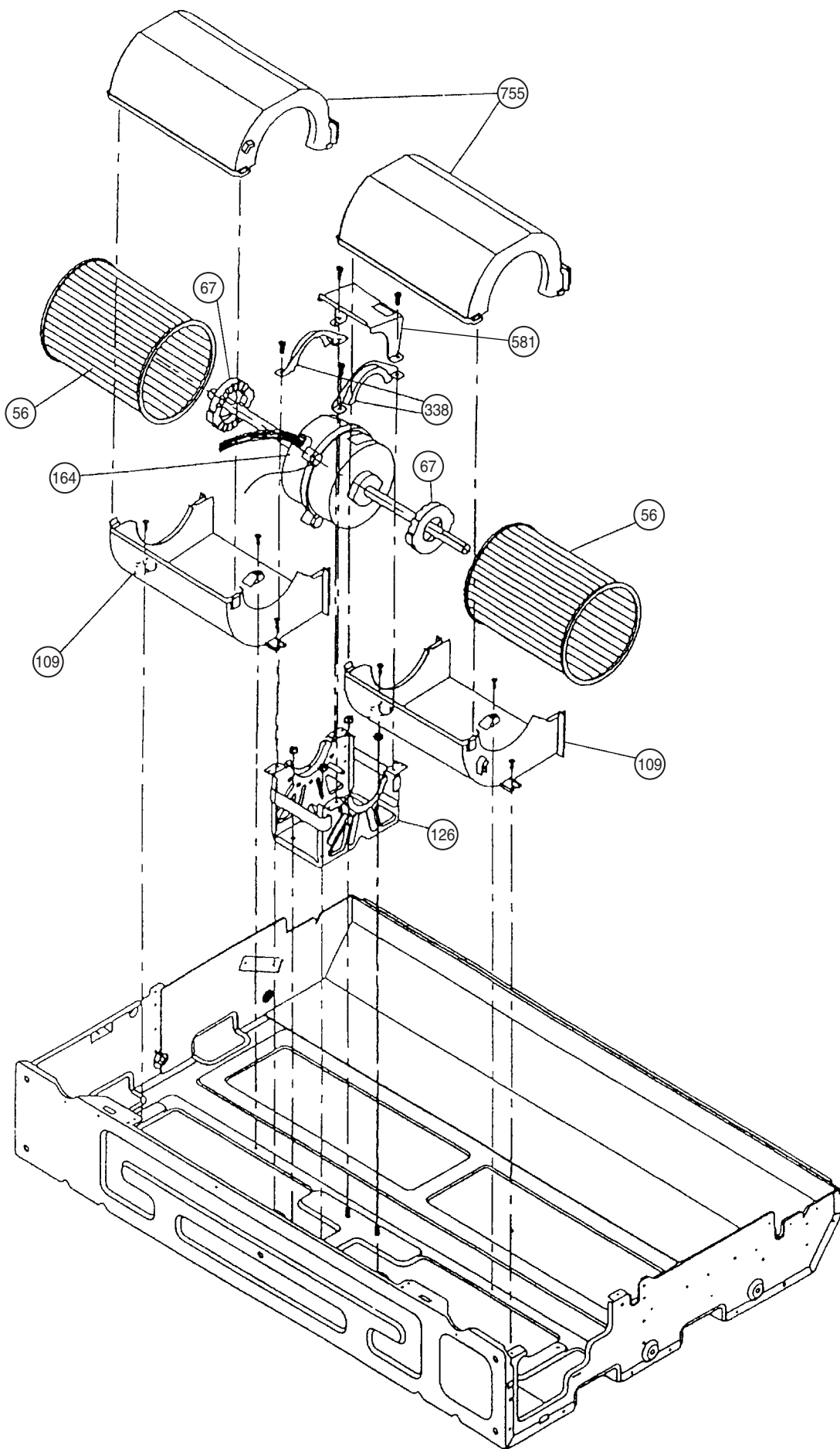


# DISASSEMBLY ILLUSTRATION

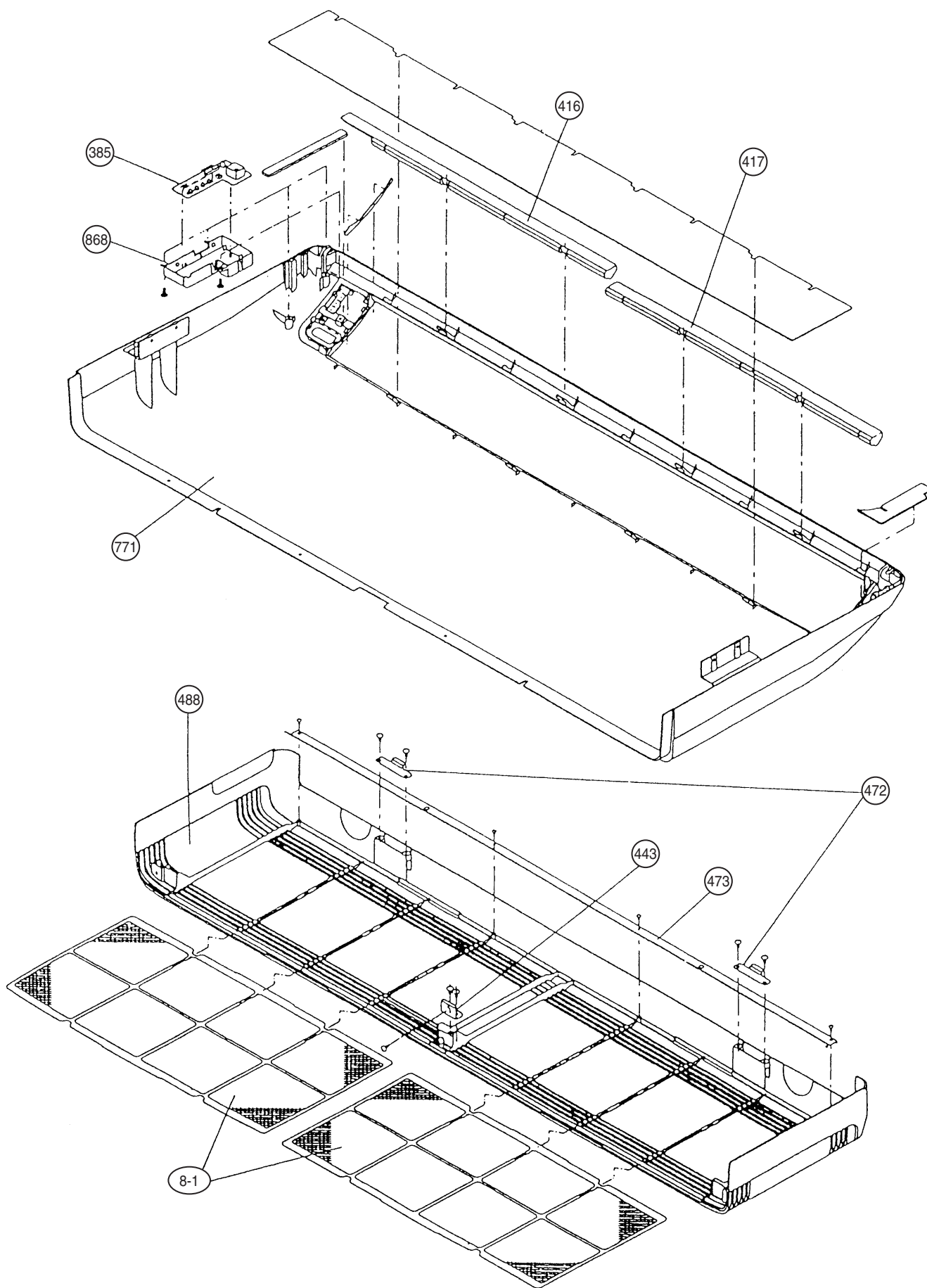
Models : ABY18ABAJ, ABY24ABAJ  
ABY18RBAJ, ABY24RBAJ



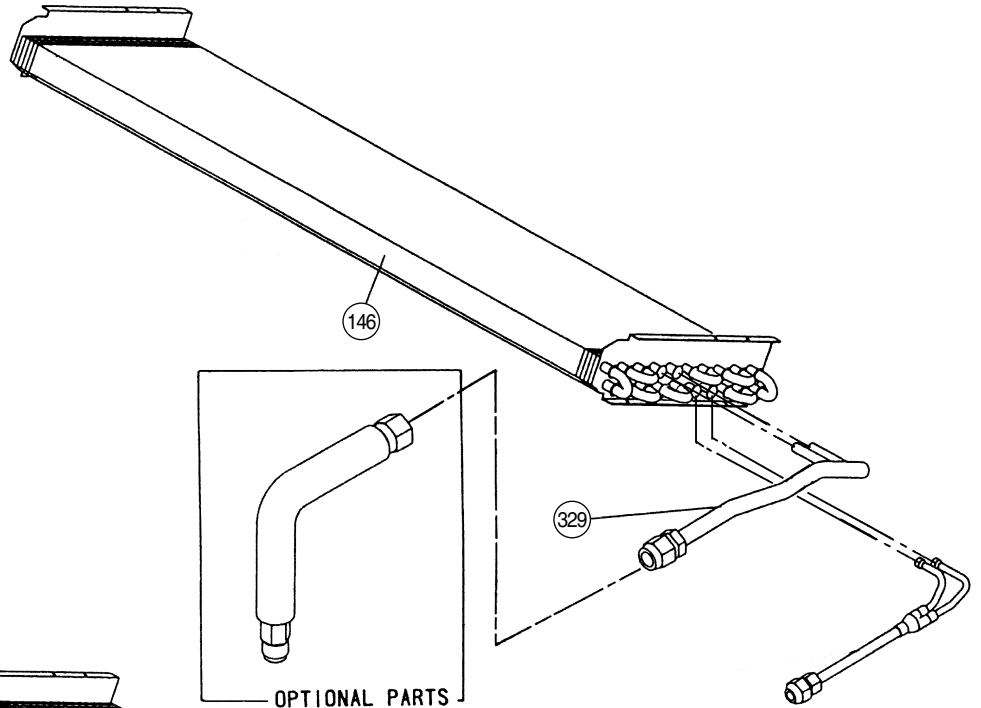




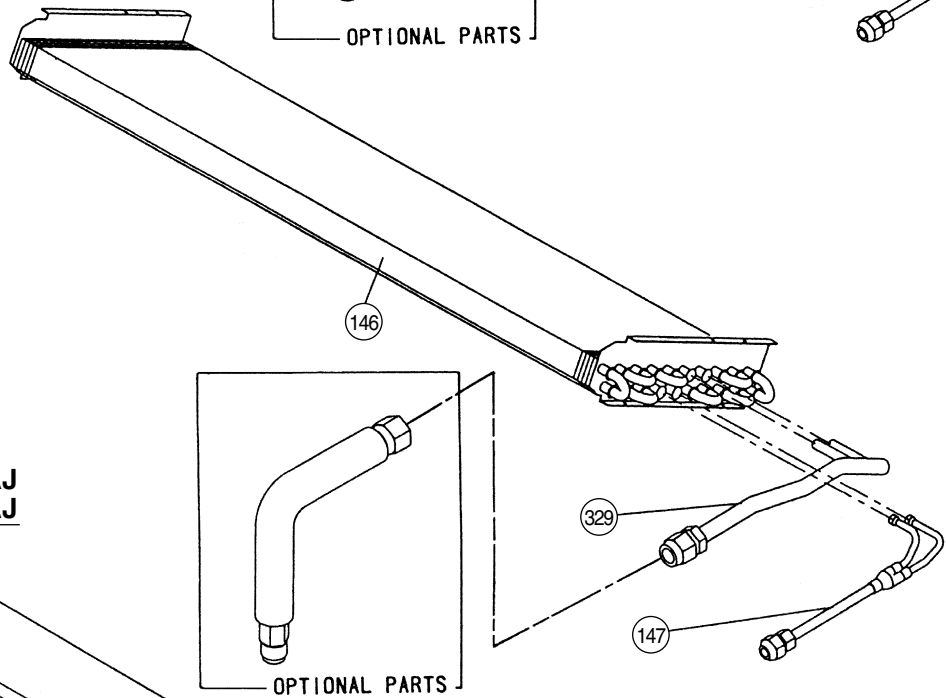




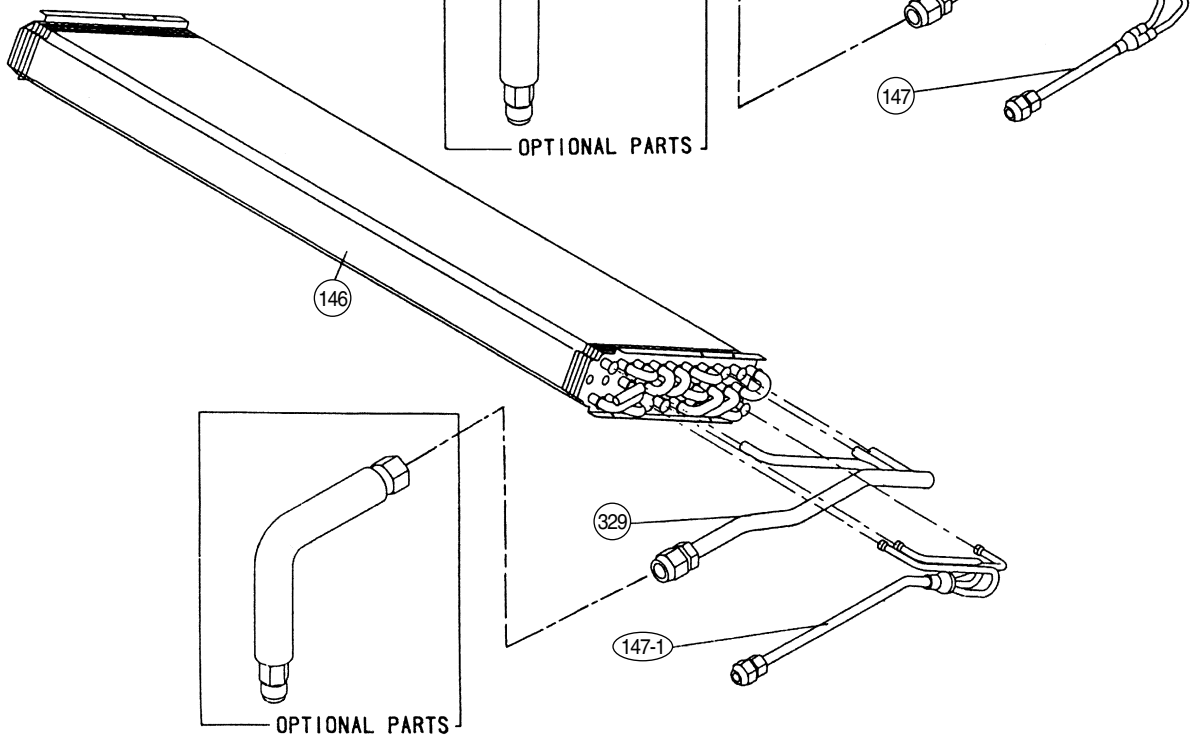
**Model : ABY18ABAJ**

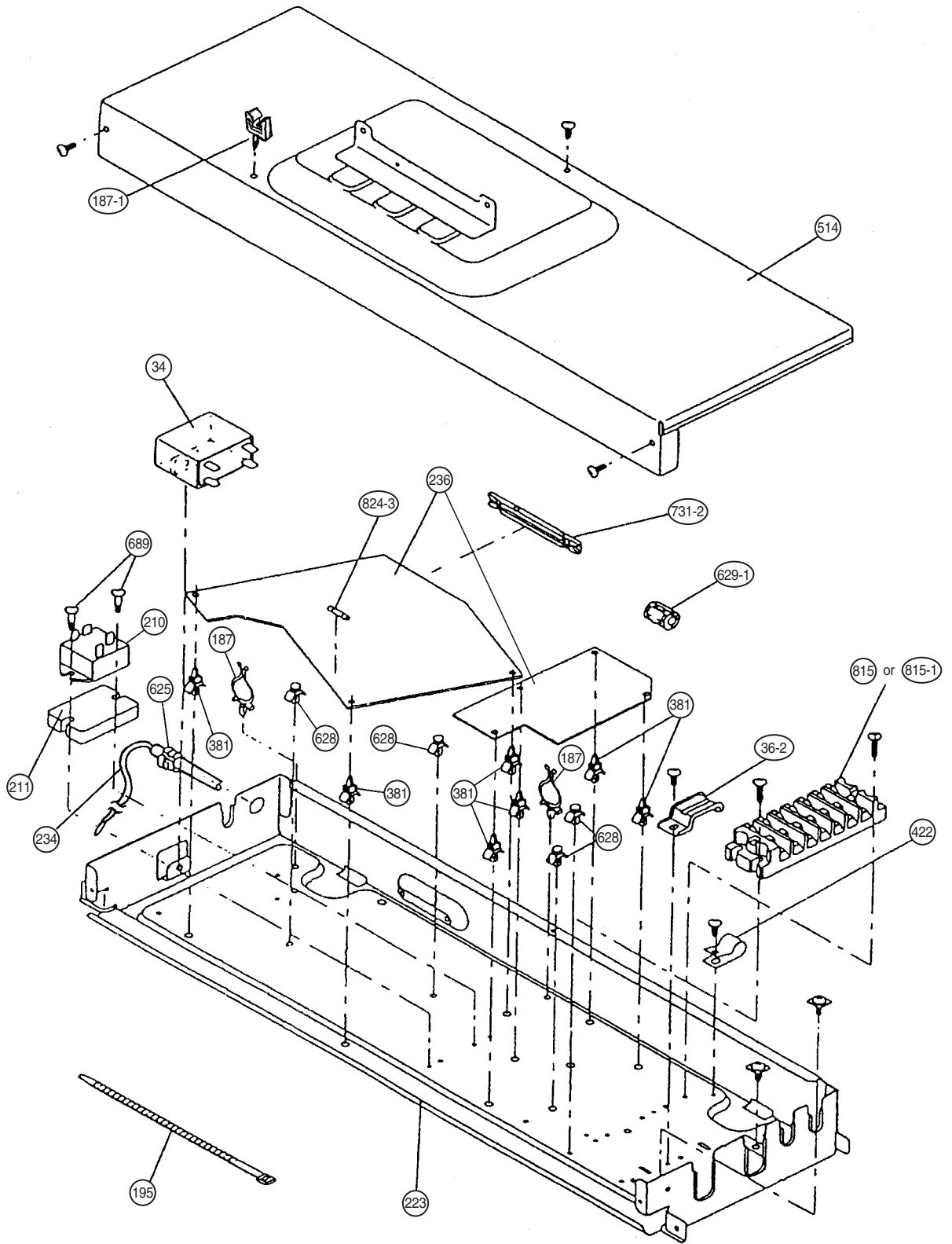


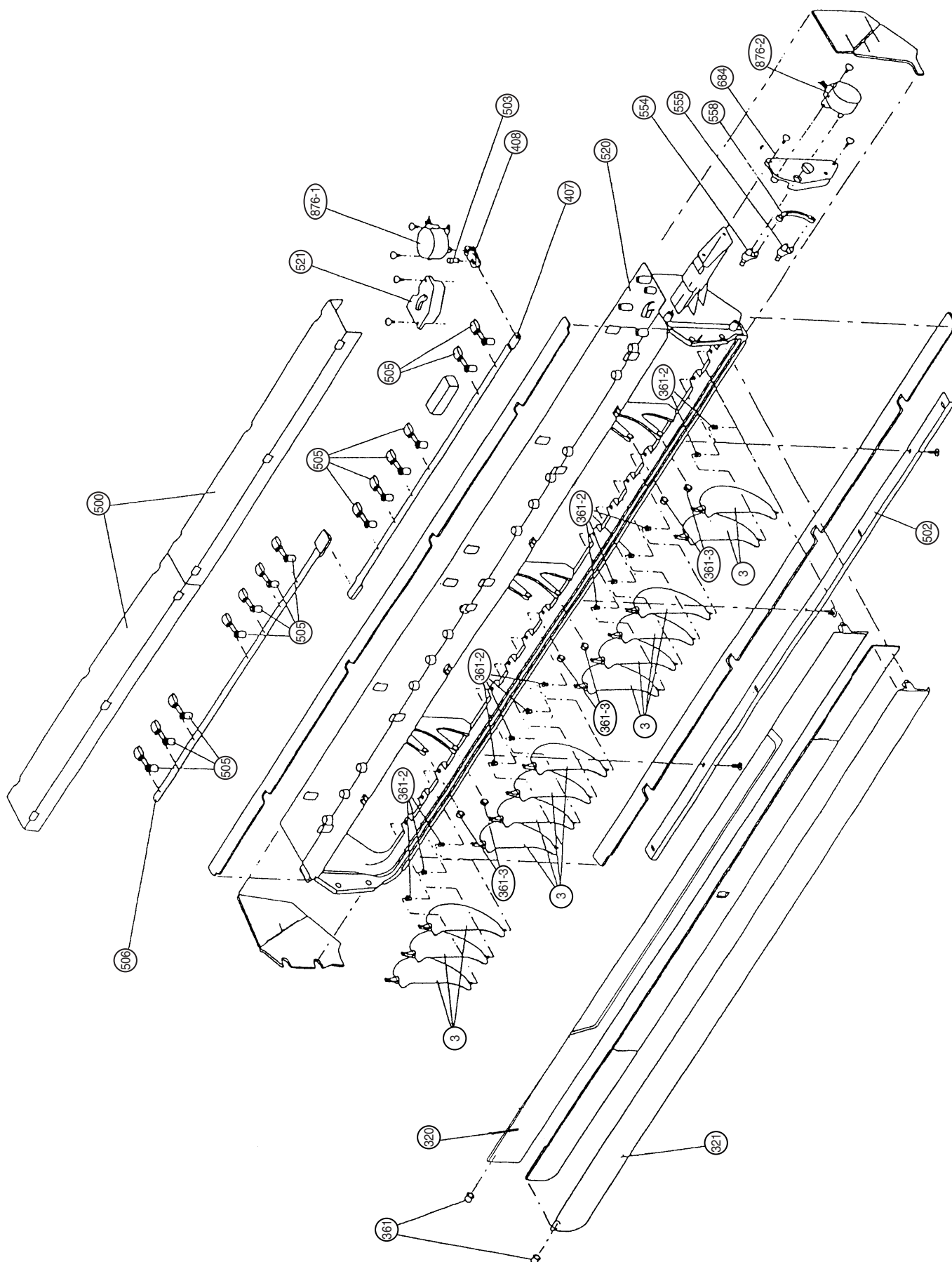
**Model : ABY18RBAJ**



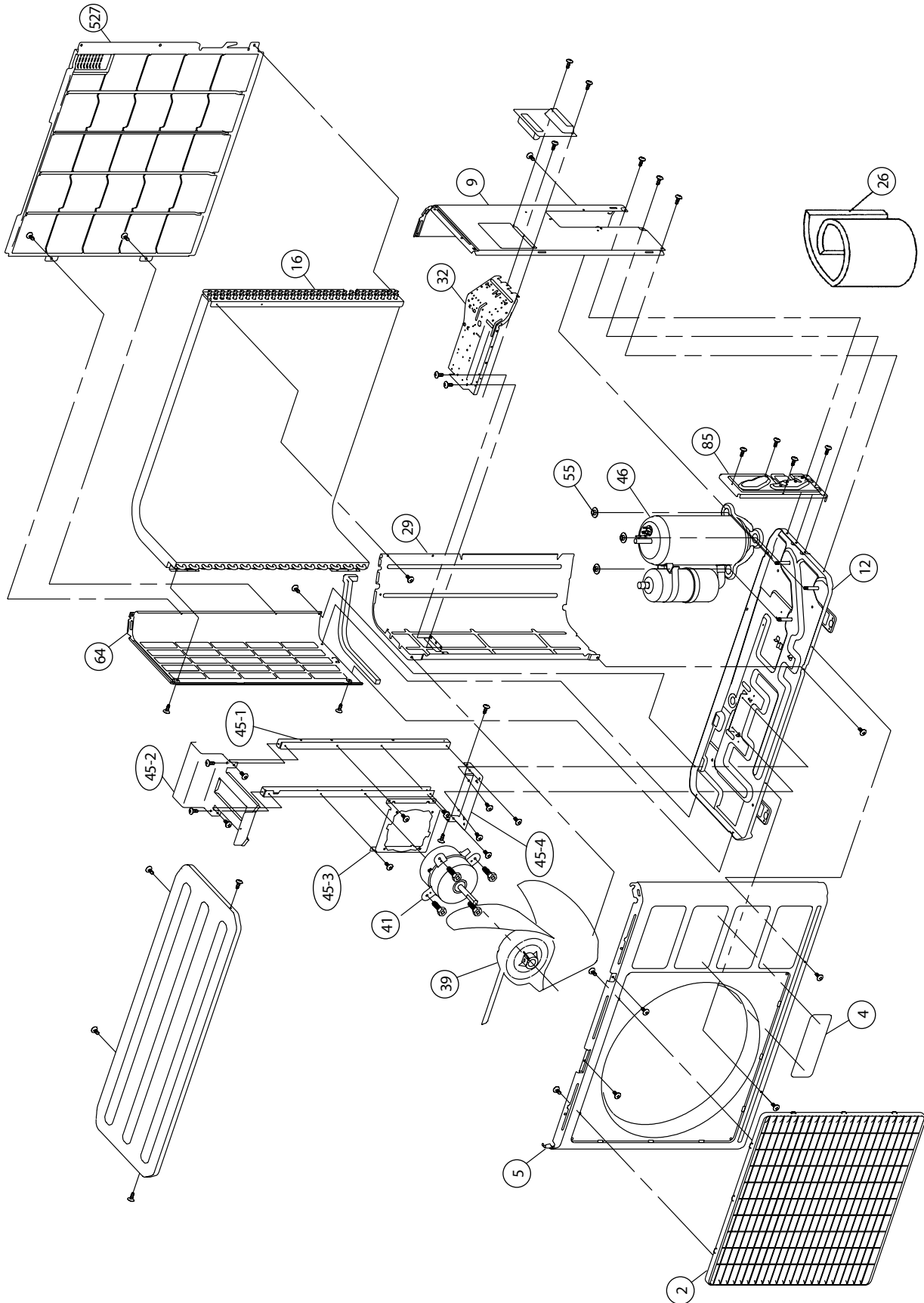
**Models : ABY24ABAJ  
ABY24RBAJ**



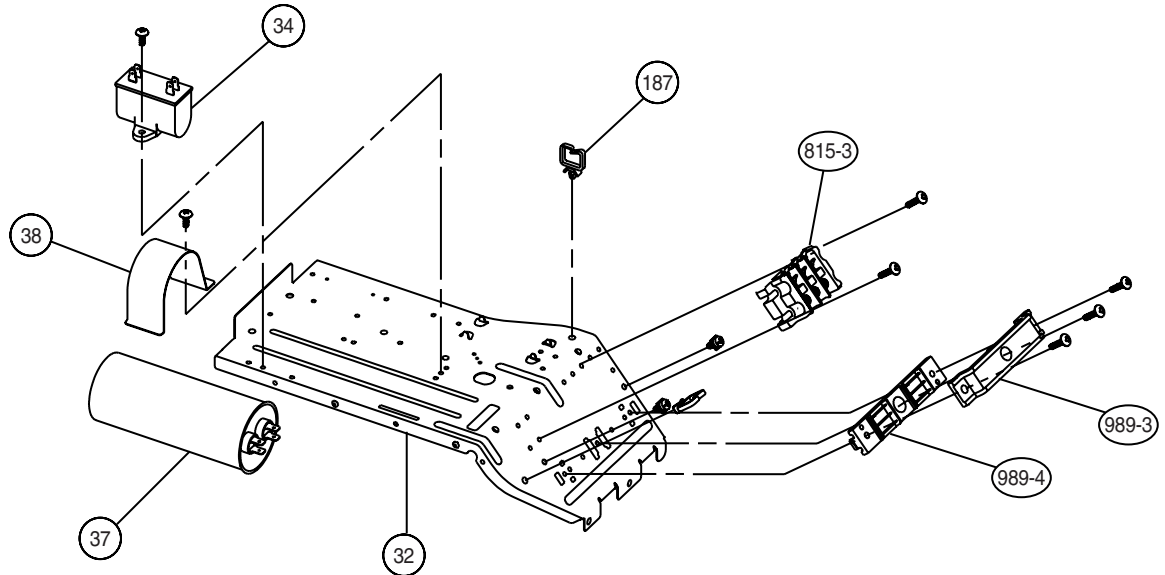




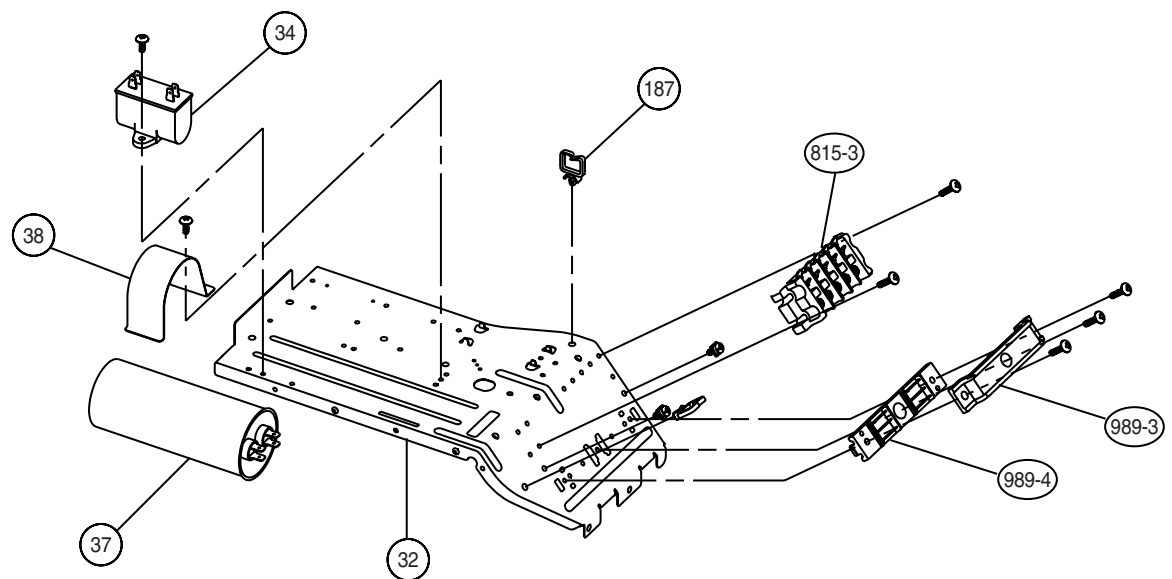
**Models : AOY18ANAK, AOY18ANAKH, AOY18RNAKH  
AOY24ANAK, AOY24ANAKH, AOY24RNAKH**



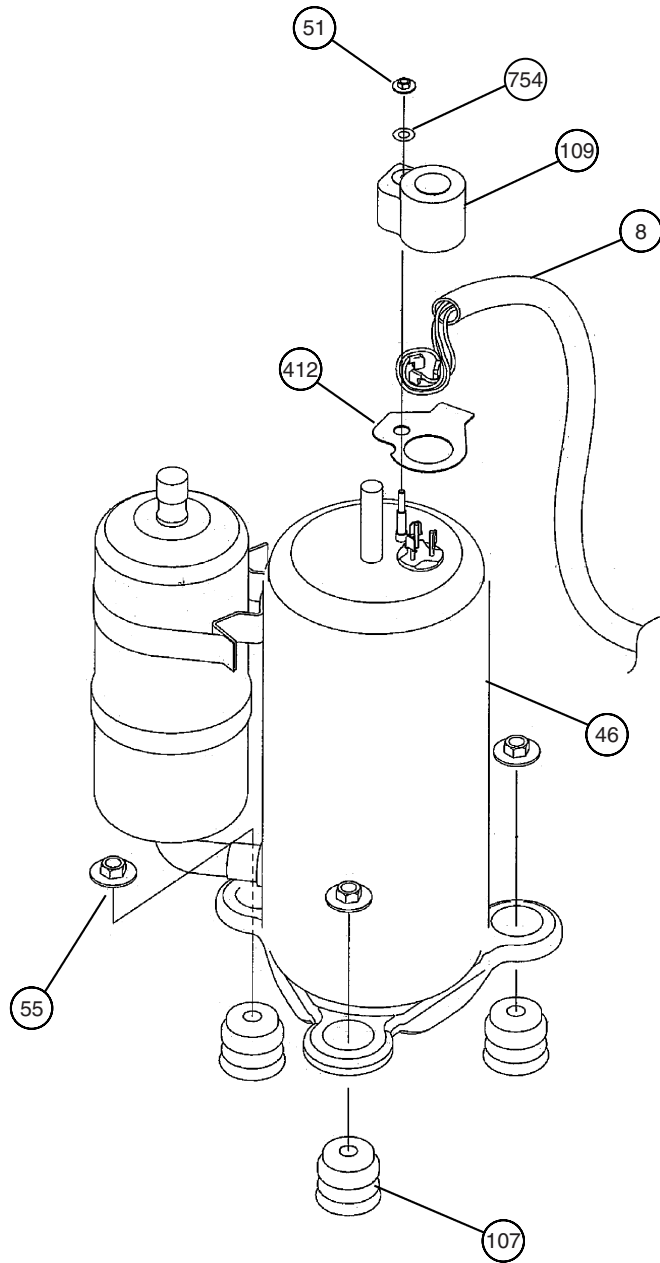
**Models : AOY18ANAK, AOY18ANAKH  
AOY24ANAK, AOY24ANAKH**



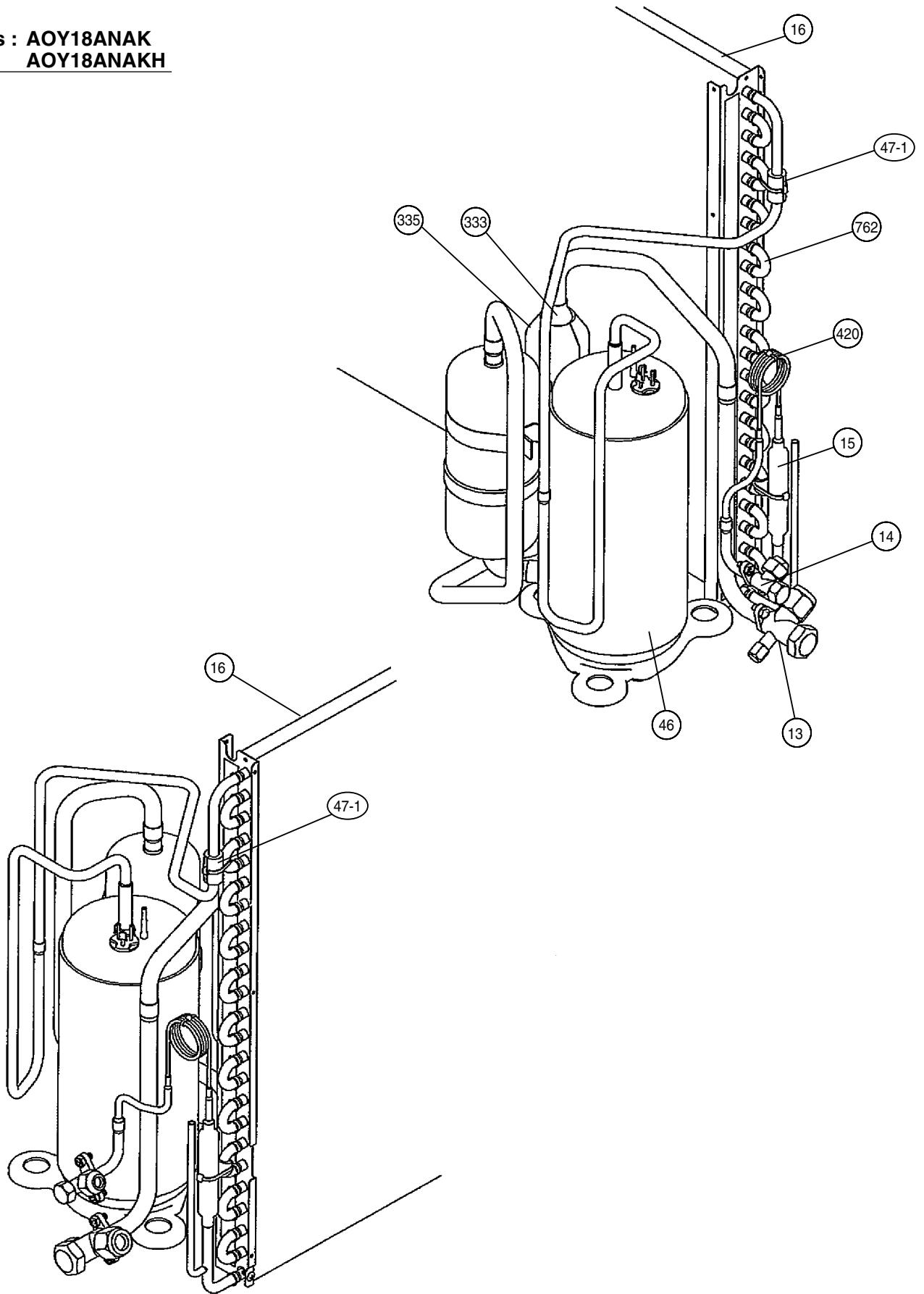
**Models : AOY18RNAKH  
AOY24RNAKH**



**Models : AOY18ANAK, AOY18ANAKH, AOY18RNAKH  
AOY24ANAK, AOY24ANAKH, AOY24RNAKH**

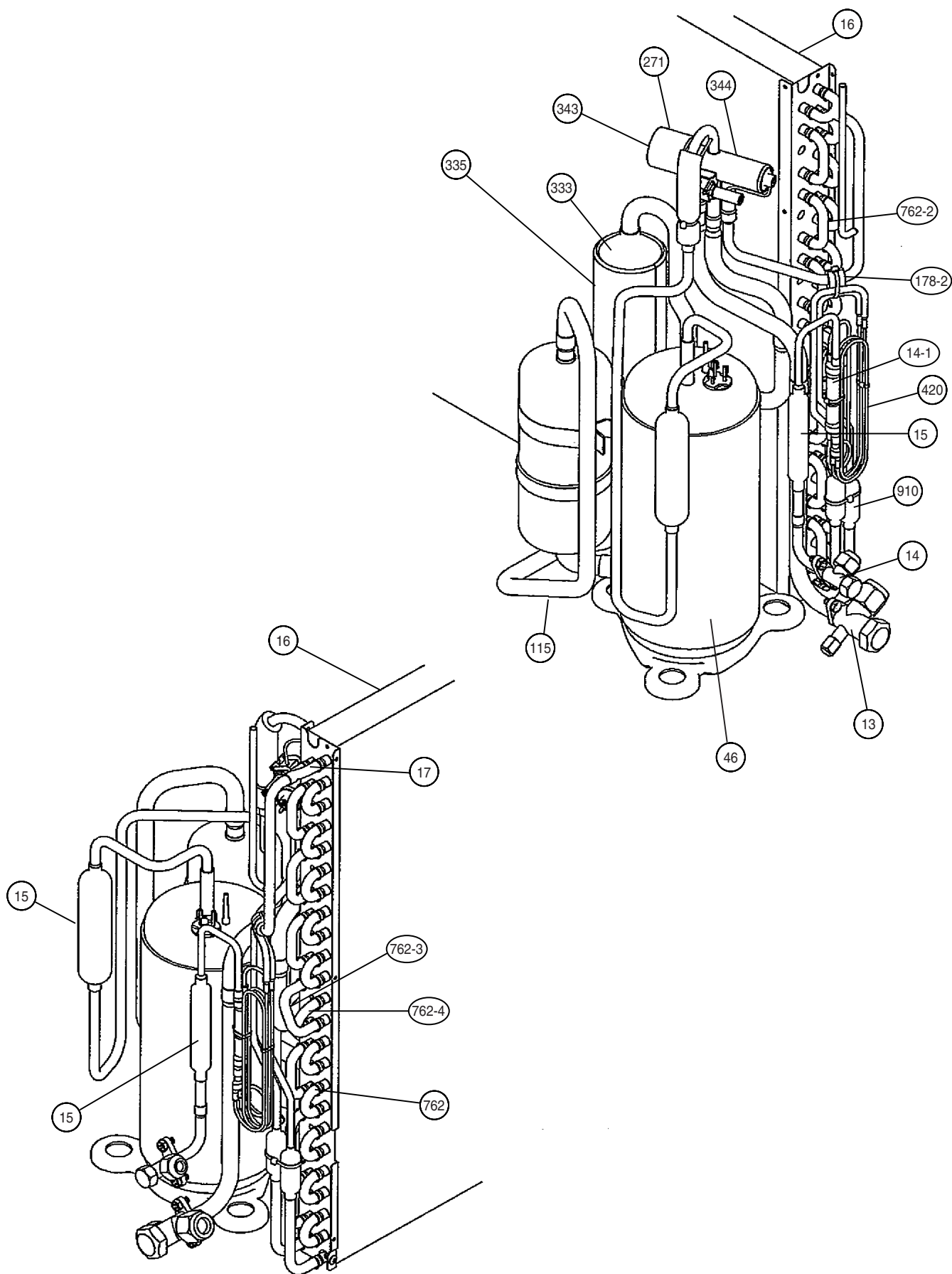


Models : AOY18ANAK  
AOY18ANAKH

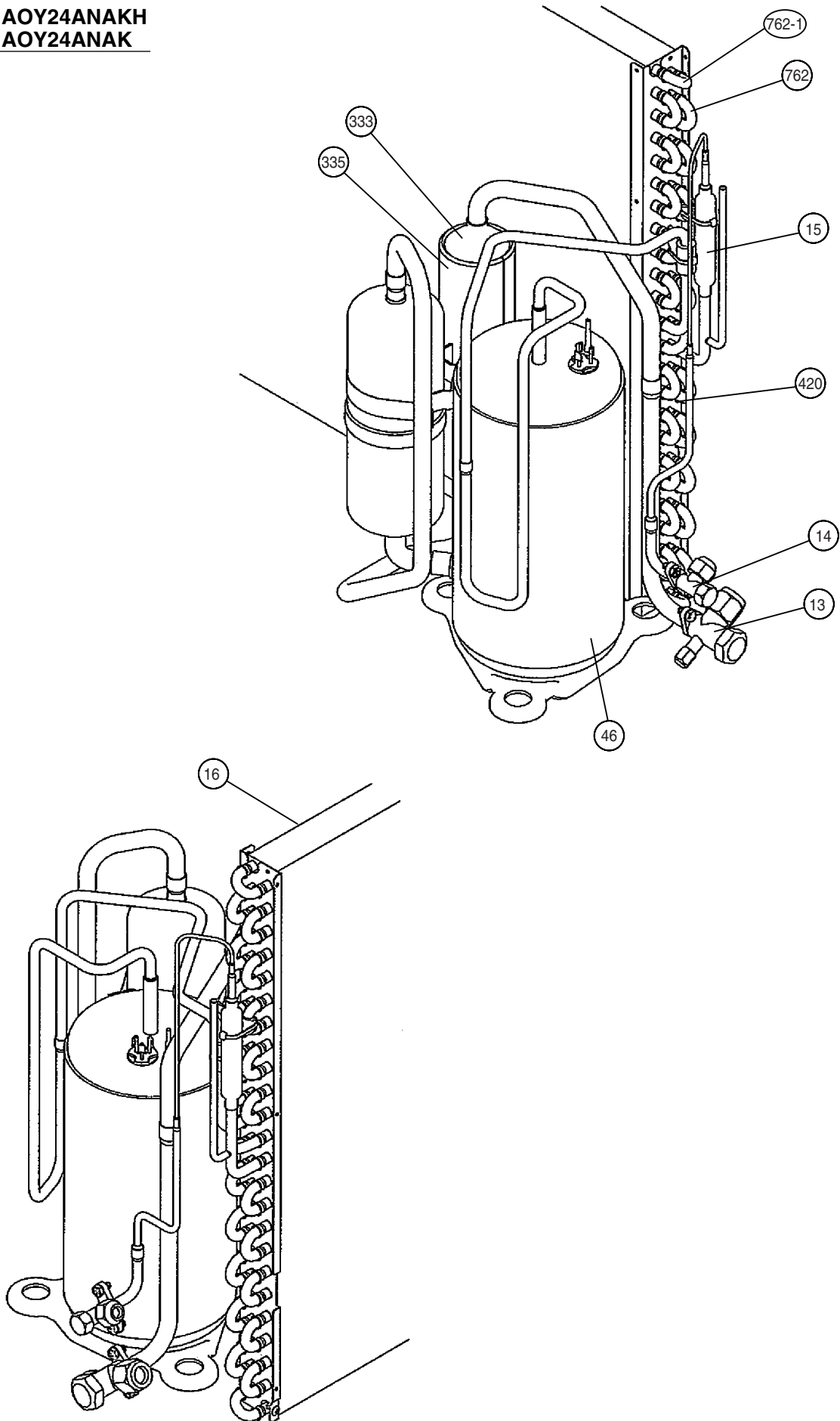




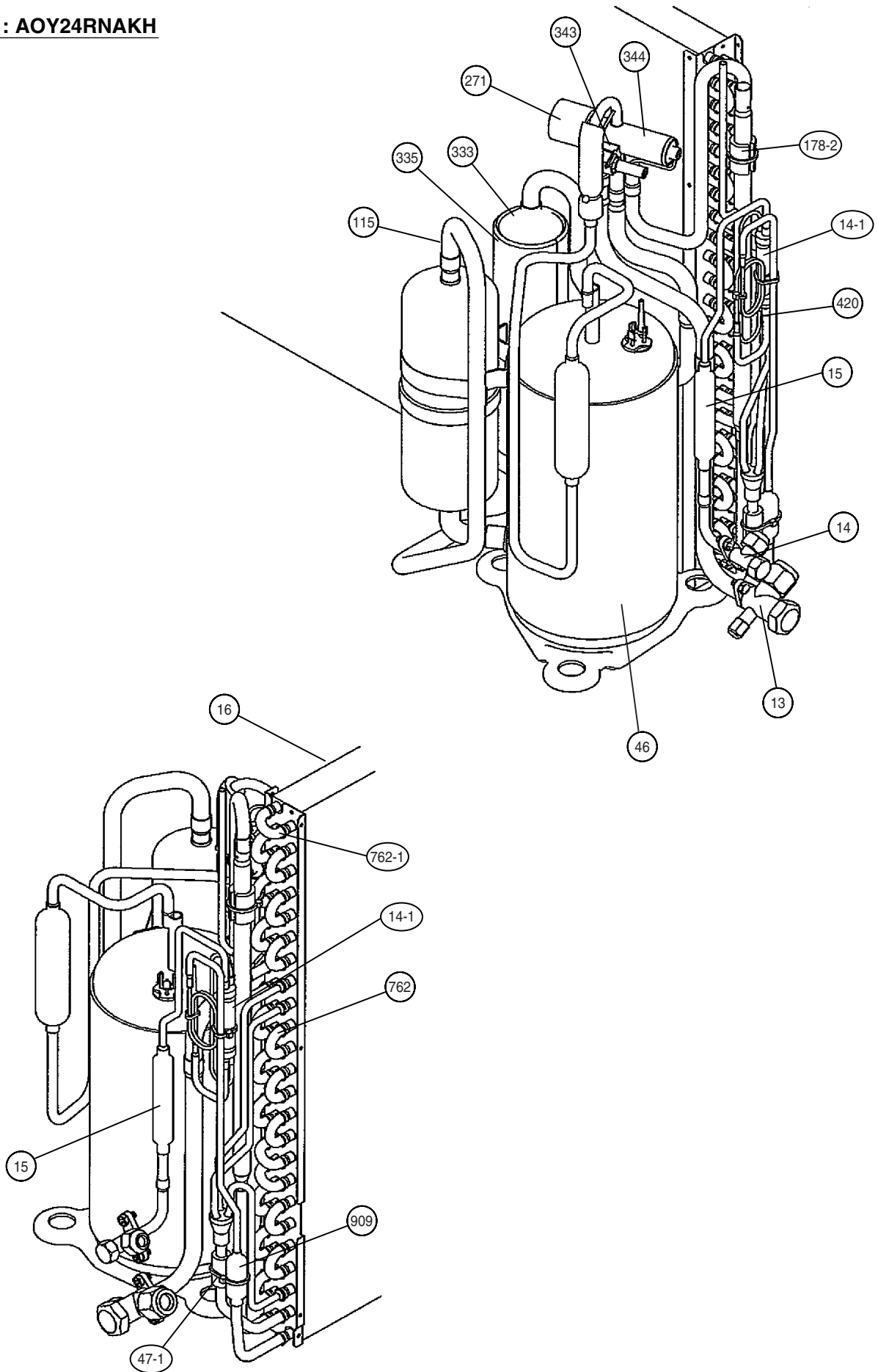
**Model : AOY18RNAKH**



Models : AOY24ANAKH  
AOY24ANAK



**Model : AOY24RNAKH**



# PARTS LIST

## INDOOR UNIT

Ref. No.	Description	Part No.				Ord. Q'ty
		ABY18ABAJ	ABY18RBAJ	ABY24ABAJ	ABY24RBAJ	
3	Louver	9358561010	9358561010	9358561010	9358561010	
8-1	Air Filter	9358567029	9358567029	9358567029	9358567029	
34	Capacitor (Fan Motor)	9703306044	9703306044	9703306044	9703306044	
36-2	Cord Holder Metal	9356362008	9356362008	9356362008	9356362008	
56	Sirocco Fan Assy	9385258006	9385258006	9385258006	9385258006	
67	Rubber (Vibration-proof)	9385102002	9385102002	9385102002	9385102002	
68	Capacitor, Plastic	9358563007	9358563007	9358563007	9358563007	
69	Louver	9358561010	9358561010	9358561010	9358561010	
108	Base Assy	9359061038	9359061038	9359061038	9359061038	
109	Casing, Plastic	9358543009	9358543009	9358543009	9358543009	
124	Dew Proof Plate	9359196006	9359196006	9359196006	9359196006	
126	Motor Fixing Table Assy	9358591000	9358591000	9358591000	9358591000	
127	Drain Hose Assy	9359242000	9359242000	9359242000	9359242000	
138	Separate Wall-A	9358584002	9358584002	9358584002	9358584002	
146	Evaporator Assy	9365770009	9359310013	9358870013	9358870013	
147	Inlet Pipe (Eva. )	—	9359263005	—	—	
147-1	Distributor Assy	—	—	9358814000	9358814000	
160	Drain Pan Assy	9358568002	9358568002	9358568002	9358568002	
164	Fan Motor Assy-IN	9601527022	9601527022	9601527015	9601527015	
173	Hanger Bracket-L	9358596005	9358596005	9358596005	9358596005	
174	Hanger Bracket-R	9358595008	9358595008	9358595008	9358595008	
184-1	Thermistor Spring-A	313728262708	313728262708	313728262708	313728262708	
187	Clamp No. 1219	313361271706	313361271706	313361271706	313361271706	
187-1	Clip (Cable)	9352715006	9352715006	9352715006	9352715006	
195	Clamp SKB-100	313361275805	313361275805	313361275805	313361275805	
196-1	Clamp SKB-3M	312300787605	312300787605	312300787605	312300787605	
210	Main Relay	9353611017	—	9353611017	—	
211	Cushion Rubber	313806328306	—	313806328306	—	
223	Control Box	9358600016	9358600016	9358600016	9358600016	
234	Thermistor Assy-Room	9703299087	9703299087	9703299087	9703299087	
235	Thermistor Assy-Pipe	9900022020	9900022020	9900022020	9900022020	
236	Controller PCB Assy	9704557216	9704557223	9704557131	9704557148	
240	Remote Control Unit	9371190020	9371190013	9371190020	9371190013	
320	Flap (Upper)-F	9358538012	9358538012	9358538012	9358538012	
321	Flap (Lower)	9358541012	9358541012	9358541012	9358541012	
329	Coupring Pipe Assy	9365771006	9359267003	9358819005	9358819005	
338	Motor Fixture	9358594001	9358594001	9358594001	9358594001	
361	Bushing	9357942001	9357942001	9357942001	9357942001	
361-2	Bushing-B, Plastic	9358554005	9358554005	9358554005	9358554005	
361-3	Bushing-C, Plastic	9358553008	9358553008	9358553008	9358553008	
365-1	Special Screw	9359092001	9359092001	9359092001	9359092001	
365-2	Special Screw	9359091004	9359091004	9359091004	9359091004	
381	Locking Spacer KGLS-4S	313209391506	313209391506	313209391506	313209391506	
385	Indicator PCB Assy	9701873012	9701873012	9701873012	9701873012	
407	Motor Rod	9358560006	9358560006	9358560006	9358560006	
408	Louver Link	9358556009	9358556009	9358556009	9358556009	
416	Insulation (Panel)-A	9358574003	9358574003	9358574003	9358574003	
417	Insulation (Panel)-B	9358914007	9358914007	9358914007	9358914007	
418	Insulation (Flap Base)	9358572009	9358572009	9358572009	9358572009	
422	Clamp NK-10N	9359183006	9359183006	9359183006	9359183006	
439	Drain Pan Wire	9358598009	9358598009	9358598009	9358598009	
443	Arm Bracket	9359281009	9359281009	9359281009	9359281009	
470	Separate Wall-B	9358585009	9358585009	9358585009	9358585009	
472	Grille Support	9358602003	9358602003	9358602003	9358602003	
473	Filter Bracket	9358607008	9358607008	9358607008	9358607008	
488	Grille-F	9358532010	9358532010	9358532010	9358532010	
500	Protect Cover	9358564004	9358564004	9358564004	9358564004	
502	Support Stay	9358599006	9358599006	9358599006	9358599006	

**INDOOR UNIT (Continued)**

Ref. No.	Description	Part No.				Ord. Q'ty
		ABY18ABAJ	ABY18RBAJ	ABY24ABAJ	ABY24RBAJ	
503	Louver Shaft	9358557006	9358557006	9358557006	9358557006	
505	Louver Stopper	9358555002	9358555002	9358555002	9358555002	
506	Louver Rod	9358559000	9358559000	9358559000	9358559000	
508	Cosmetic Panel-R	9358535011	9358535011	9358535011	9358535011	
509	Cosmetic Panel-L	9358536018	9358536018	9358536018	9358536018	
514	Control Box Cover	9359097006	9359097006	9359097006	9359097006	
520	Flap Base	9358537015	9358537015	9358537015	9358537015	
521	Louver Link Cover	9358558003	9358558003	9358558003	9358558003	
552	Insulation (Eva. )-R	9358575000	9358575000	9358575000	9358575000	
553	Insulation (Eva. )-L	9358857007	9358857007	9358857007	9358857007	
554	Flap Link Upper (Step Motor-V)	9358551004	9358551004	9358551004	9358551004	
555	Flap Link Lower (Step Motor-V)	9358552001	9358552001	9358552001	9358552001	
558	Motor Rod-A (Step Motor)	9358550007	9358550007	9358550007	9358550007	
574-1	Evaporator Fixture-R Bracket	9358589007	9358589007	9358589007	9358589007	
574-2	Evaporator Fixture-L Bracket	9358590003	9358590003	9358590003	9358590003	
577	Catch TL-119	9359096009	9359096009	9359096009	9359096009	
578	Base Bracket (Reinforcement Metal)	9358586006	9358586006	9358586006	9358586006	
580	Top Cover	9358534014	9358534014	9358534014	9358534014	
581	Protector, Metal (Fan Motor)	9359282006	9359282006	9359282006	9359282006	
588-1	Evaporator Bracket-R	9358587003	9358587003	9358587003	9358587003	
588-2	Evaporator Bracket-L	9358588000	9358588000	9358588000	9358588000	
625	Cord Bushing KR-51	9359240006	9359240006	9359240006	9359240006	
628	Locking Spacer-B	313005446558	313005446558	313005446558	313005446558	
629-1	EMI Filter	0400247074	0400247074	0400247074	0400247074	
652-1	Thermistor Holder Pipe	313806262805	313806262805	313806262805	313806262805	
653-2	Bolt	0700190018	0700190018	0700190018	0700190018	
684	Motor Base	9358562000	9358562000	9358562000	9358562000	
689	Screw, Grip Tapping	9357837000	—	9357837000	—	
731-2	Holder (Guide Rail)	0600241018	0600241018	0600241018	0600241018	
743	Remote Control Unit Holder	9305642014	9305642014	9305642014	9305642014	
755	Casing Cover	9358544006	9358544006	9358544006	9358544006	
764	Drain Cap	9358746004	9358746004	9358746004	9358746004	
771	Panel Assy	9359076018	9359076018	9359076018	9359076018	
815	Terminal-7P	—	9358660102	—	9358660102	
815-1	Terminal-3P	9900203016	—	9900203016	—	
824-3	Fuse	0600222512	0600222512	0600222512	0600222512	
868	PCB Holder	9358547007	9358547007	9358547007	9358547007	
870-1	Arm Bracket	9358565001	9358565001	9358565001	9358565001	
870-2	Center Arm	9359280002	9359280002	9359280002	9359280002	
875	Power Supply PCB Assy	9704561022	9704561077	9704561022	9704561077	
876-1	Step Motor-H	9359106012	9359106012	9359106012	9359106012	
876-2	Step Motor-V	9359105015	9359105015	9359105015	9359105015	
923	Control Box Bracket	9358717004	9358717004	9358717004	9358717004	

## OUTDOOR UNIT

Ref. No.	Description	Part No.				Ord. Q'ty
		AOY18ANAK	AOY18ANAKH	AOY24ANAK	AOY24ANAKH	
2	Fan Guard	9371187013	9371187013	9371187013	9371187013	
4	Emblem (Rear)	9351355005	9351355005	9351355005	9351355005	
5	Front Panel Painted	9371924014	9371924014	9371924014	9371924014	
8	Wire Assy (Compressor)	9372334010	9372334010	9372334010	9372334010	
9	Side Panel R Painted	9371927015	9371927015	9371927015	9371927015	
12	Base Assy, Painted	9371920016	9371920016	9371920016	9371920016	
13	Packed Valve (5/8)	9372650011	9372650011	9372650011	9372650011	
14	Packed Valve (3/8)	9372649015	9372649015	9372649015	9372649015	
15	Dryer	9368111014	9368111014	9368111014	9368111014	
16	Condenser Assy	9372181065	9372181058	9372181162	9372181072	
26	Compressor Cover	9372327012	9372327029	9372327012	9372327029	
29	Separate Wall	9371933016	9371933016	9371933016	9371933016	
32	Control Box	9371935010	9371935010	9371935010	9371935010	
34	Capacitor (Fan Motor)	9703306051	9703306051	9703306051	9703306051	
37	Running Capacitor	9704436023	9704436023	9703107023	9703107023	
38	Capacitor Clamp	9351770013	9351770013	313791061807	313791061807	
39	Propeller Fan Assy	9366378013	9366378013	9366378013	9366378013	
41	Fan Motor Assy-Out	9601671022	9601671022	9601671022	9601671022	
45-1	Motor Bracket	9371929019	9371929019	9371929019	9371929019	
45-2	Motor Bracket-Top	9371931012	9371931012	9371931012	9371931012	
45-3	Motor Bracket-Center	9371930015	9371930015	9371930015	9371930015	
45-4	Motor Bracket-Bottom	9371932019	9371932019	9371932019	9371932019	
46	Compressor Assy	9370878004	9370878004	9371448015	9371448015	
47-1	Rubber (Discharge Pipe)	313194159807	313194159807	313194159807	313194159807	
51	Special Nut M5	9300301015	9300301015	9300301015	9300301015	
55	Special Nut M8	9355091008	9355091008	9355091008	9355091008	
64	Side Panel L Painted	9371926018	9371926018	9371926018	9371926018	
85	Valve Plate Painted	9371928012	9371928012	9371928012	9371928012	
107	Rubber Seat-A (For Comp. )	9351049010	9351049010	9351049010	9351049010	
109	Terminal Cover (Comp. )	9371511016	9371511016	9371511016	9371511016	
178-2	Capillary Holder Rubber	313414274807	313414274807	313414274807	313414274807	
187	Clamp No. 2U46	9352715006	9352715006	9352715006	9352715006	
210	Main Relay	9900074012	9900074012	9900074012	9900074012	
333	Accumulator	—	—	9368391003	9368391003	
335	Insulation Accumulator	—	—	9368390006	9368390006	
412	Cover Gasket (Comp. )	9371512013	9371512013	9371512013	9371512013	
420	Capillary Assy	9372197073	9372197073	9372197295	9372197295	
527	Protective Net	9371934013	9371934013	9371934013	9371934013	
754	Terminal Gasket Washer	9351053017	9351053017	9351053017	9351053017	
762	U-Pipe-A Assy	9302910017	9302910017	9302910017	9302910017	
762-1	U-Pipe-B Assy	—	—	9302911014	9302911014	
815-3	Terminal-5P	9900203023	9900203023	9900203023	9900203023	
820	Accumulator Holder Rubber	—	—	9354022010	9354022010	
989-3	Cord Clamp-A	9359822011	9359822011	9359822011	9359822011	
989-4	Cord Clamp-B	9359823018	9359823018	9359823018	9359823018	
—	Fuse Holder	0500063024	0500063024	0500063024	0500063024	
—	Fuse	0600222529	0600222529	0600222529	0600222529	
—	Accumulator Support Assy	—	—	9372252017	9372252017	
—	Pressure Switch	—	9370941005	—	9370741005	




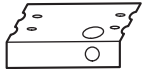
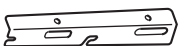
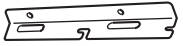
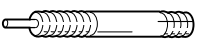



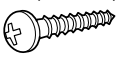




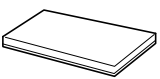

**OUTDOOR UNIT**

Ref. No.	Description	Part No.		Ord. Q'ty
		AOY18RNAKH	AOY24RNAKH	
2	Fan Guard	9371187013	9371187013	
4	Emblem (Rear)	9351355005	9351355005	
5	Front Panel Painted	9371924014	9371924014	
8	Wire Assy (Compressor)	9372334010	9372334010	
9	Side Panel R Painted	9371927015	9371927015	
12	Base Assy, Painted	9371920016	9371920016	
13	Packed Valve (5/8)	9372650011	9372650011	
14	Packed Valve (3/8)	9372649015	9372649015	
14-1	Check Valve	9372198025	9372198032	
15	Dryer	9368111014	9368111014	
16	Condenser Assy	9372181089	9372181119	
17	U Pipe-Y	313728127102	—	
29	Separate Wall	9371933016	9371933016	
32	Control Box	9371935010	9371935010	
34	Capacitor (Fan Motor)	9703306051	9703306051	
37	Running Capacitor	9704436023	9703107023	
38	Capacitor Clamp	9351770013	313791061807	
39	Propeller Fan Assy	9366378013	9366378013	
41	Fan Motor Assy-Out	9601671015	9601671015	
45-1	Motor Bracket	9371929019	9371929019	
45-2	Motor Bracket-Top	9371931012	9371931012	
45-3	Motor Bracket-Center	9371930015	9371930015	
45-4	Motor Bracket-Bottom	9371932019	9371932019	
46	Compressor Assy	9370878004	9371448015	
47-1	Rubber (Discharge Pipe)	—	313194159807	
51	Special Nut M5	9300301015	9300301015	
55	Special Nut M8	9355091008	9355091008	
64	Side Panel L Painted	9371926018	9371926018	
85	Valve Plate Painted	9371928012	9371928012	
107	Rubber Seat-A (For Comp. )	9351049010	9351049010	
109	Terminal Cover (Comp. )	9371511016	9371511016	
115	Muffler	9372369012	9372369012	

Ref. No.	Description	Part No.		Ord. Q'ty
		AOY18RNAKH	AOY24RNAKH	
187	Clamp No. 2U46	9352715006	9352715006	
210	Main Relay	9900074012	9900074012	
271	4-Way Valve Rubber	313728251908	313728251908	
333	Accumulator	9368391003	9368391003	
335	Insulation Accumulator	9368390006	9368390006	
343	Solenoid	9900165017	9900165017	
344	4-Way Valve	9970036019	9900163013	
412	Cover Gasket (Comp. )	9371512013	9371512013	
420	Capillary Assy	9372197264	9372197271	
527	Protective Net	9371934013	9371934013	
754	Terminal Gasket Washer	9351053017	9351053017	
762	U-Pipe-A Assy	9302910017	9302910017	
762-1	U-Pipe-B Assy	—	9302911014	
762-2	U-Pipe-D Assy	313061017508	—	
762-3	U-Pipe-E Assy	313728127806	—	
762-4	U-Pipe-E Assy	313806127802	—	
815-3	Terminal-8P	9900203047	9900203047	
820	Accumulator Holder Rubber	9354022010	9354022010	
909	Strainer	—	9369287008	
910	Strainer-B	9365099018	—	
989-3	Cord Clamp-A	9359822011	9359822011	
989-4	Cord Clamp-B	9359823018	9359823018	
—	Compressor Cover-A	9372327012	9372327012	
—	Drain Cap	313166024302	313166024302	
—	Drain Pipe (I-Type)	9301102000	9301102000	
—	Drain Pipe Packing	9301143003	9301143003	
—	Fuse Holder	0500063024	0500063024	
—	Fuse	0600222529	0600222529	
—	Accumulator Support Assy	9372252017	9372252017	

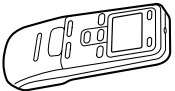

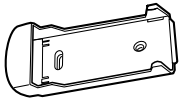

# STANDARD ACCESSORIES

## INDOOR UNIT ACCESSORIES

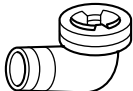
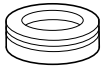
Name and Shape	Q'ty	Application	Part No.	
			ABY18ABAJ, ABY24ABAJ ABY18RBAJ, ABY24RBAJ	
Cosmetic Panel-L 	1		9358536018	
Cosmetic Panel-R 	4		9358535011	
Tapping screw (φ 4 x 10) 	2		301171164104	
Installation template 	1	For positioning the indoor unit. For under ceiling type.	9359107002	
Hanger bracket-L 	1	For suspending the indoor unit from ceiling.	9358596005	
Hanger bracket-R 	1		9358595008	
Anchor bolt (M12) 	4		} 313806339400	
Special nut 	4			
Spring washer 	4			301821112213
Wall bracket 	2		For suspending the indoor unit on the wall.	9358597002
Tapping screw (φ 4 x 20) 	6		For fixing the wall bracket.	301141164200
Coupler heat insulator (large) 	1	For indoor side pipe joint. (Large pipe)	9350716012	
Coupler heat insulator (small) 	1	For indoor side pipe joint. (Small pipe)	313209328104	
Nylon fastener (small) 	1	For fixing the drain hose.	312300787605	
Drain hose 	1		9359242000	
Insulation (drain hose) 	1	Adhesive type 70 x 230	9359225003	
VT wire 	1	For fixing the drain hose L 280 mm	313806350303	



## REMOTE CONTROL UNIT

Name and Shape	Q'ty	Application	Part No.	
			ABY18ABAJ ABY24ABAJ	ABY18RBAJ ABY24RBAJ
Remote control unit 	1	Use for air conditioner operation	9371190020 (for cooling model)	9371190013 (for cooling & heating model)
Battery (penlight) 	2	For remote control unit	0600185534	0600185534
Remote control unit holder 	1	For mounting the remote control unit	9305642014	9305642014
Tapping screw (φ 3 x 12) 	2	For remote control unit holder installation	301141533125	301141533125

## OUTDOOR UNIT ACCESSORIES

Name and Shape	Q'ty	Application	Part No.	
			AOY18ANAK, Aoy18ANAKH AOY24ANAK, Aoy24ANAKH	AOY18RNAKH AOY24RNAKH
Drain pipe 	1	For outdoor unit drain piping work	—	9303029015
Drain cap 	1		—	313166024302



**Большая библиотека технической документации**

<https://splitsystema48.ru/instrukcii-po-ekspluatácii-kondicionerov.html>

**каталоги, инструкции, сервисные мануалы, схемы.**